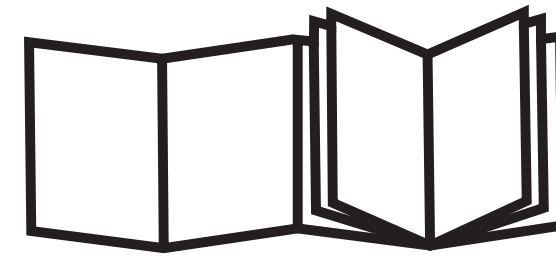


USER MANUAL

suppliedair



suppliedair Comfort
suppliedair Comfort- G1 1/4"
Pressure air conditioner



optrel tec AG
Industriestrasse 2
CH-9630 Wattwil
Switzerland

phone: +41 (0)71 987 42 00
fax: +41 (0)71 987 42 99
info@optrel.com
www.optrel.com



SEE
WHAT YOU
CAN DO

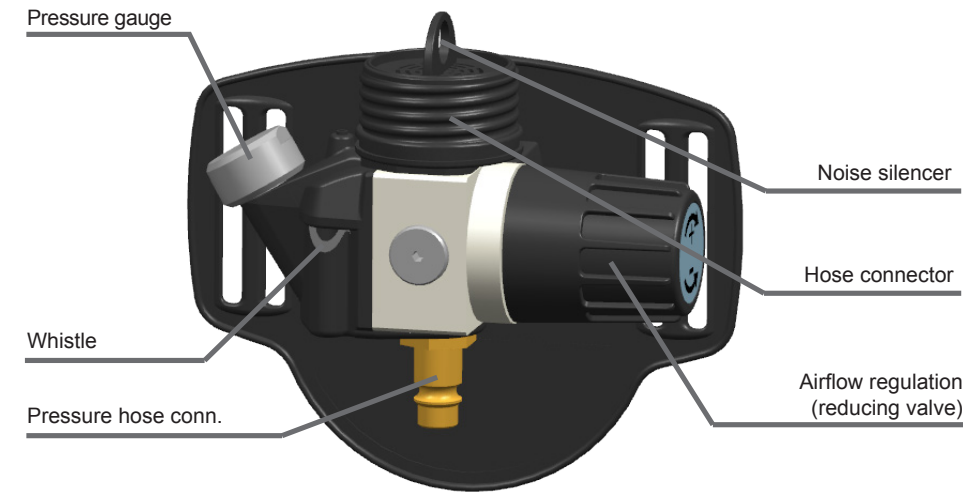
9610.801.03

ENGLISH	4	NEDERLANDS	40	ČEŠTINA	70
FRANÇAIS	10	SUOMI	46	中国	76
DEUTSCH	16	DANSK	52	MAGYAR	82
SVENSKA	22	NORSK	58	TÜRKÇE	88
ITALIANO	28	POLSKI	64	PYCCKNN	94
ESPAÑOL	34				

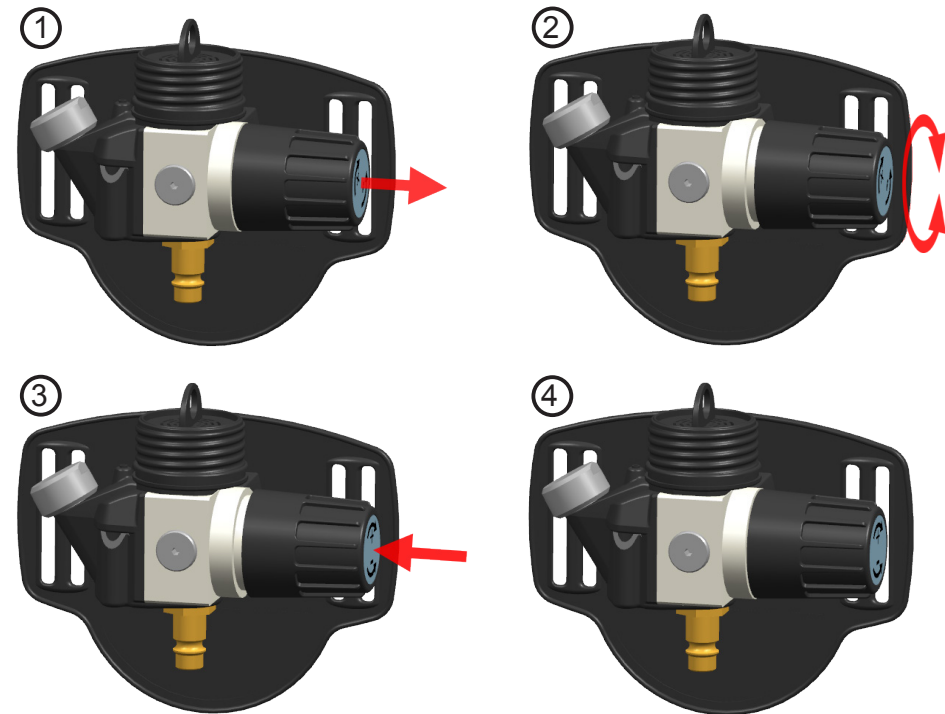
Welding and grinding helmets and hoods for suppliedair (head parts)
See section 12 for the complete list of combinations

Number	Description	Class	Picture
4441.660 4441.780 4441.781 4441.760	panoramaxx2.5 PAPR panoramaxx CLT PAPR black panoramaxx CLT PAPR silver panoramaxx quattro PAPR	3B	
4441.900 4441.901	crystal2.0 PAPR silver crystal2.0 PAPR black	3B	
4441.600 4441.601	e684 PAPR silver e684 PAPR black	3B	
4441.800	vegaview2.5 PAPR	3B	
4441.200	e650 PAPR	3B	
4441.700	liteflip PAPR	3B	
4900.020	clearmaxx PAPR	2B	
4900.040 4900.041 4900.042	softhood short black softhood short grey softhood short white	3A	
4900.050 4900.051 4900.052	softhood long black softhood long grey softhood long white	3A	

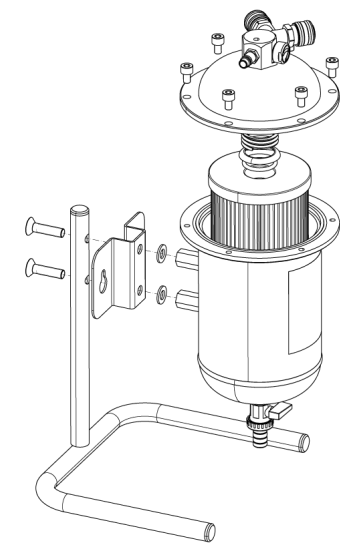
suppliedair description



Airflow adjustment - suppliedair

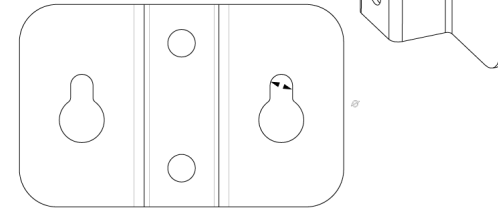


suppliedair Conditioner assembly



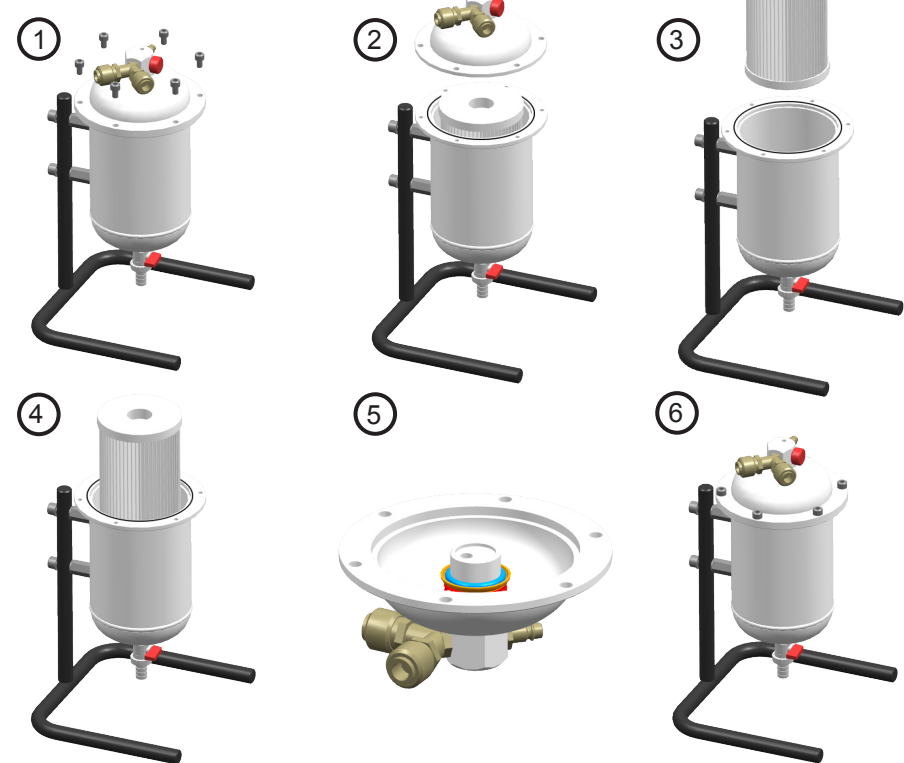
Mounting on the wall

If you want to put the Conditioner filter station safely on the wall, include the wall mount when assembling the filter station. In order to reach sufficient firmness, use adequate dowels and screws, depending on the wall material.



In order to maximise the firmness, use screws with shank width of 8 mm. The diameter of the head has to be smaller than 17 mm.

suppliedair Conditioner filter change



Pressure



ENGLISH

IMPORTANT: To ensure your safety, please read and remember the following instructions before use. Keep the manual for future reference. The unit should be used only for the purposes listed in this manual.

FRANÇAIS

IMPORTANT : Pour assurer votre sécurité, veuillez lire et mémoriser les instructions suivantes avant tout usage afin d'assurer votre propre sécurité. Conservez le manuel pour vous y référer dans le futur. L'unité ne doit être utilisée qu'aux seules fins mentionnées dans le présent manuel.

DEUTSCH

WICHTIG: Bitte lesen und merken Sie sich vor Gebrauch die folgenden Anweisungen, um Ihre eigene Sicherheit zu gewährleisten. Bewahren Sie das Handbuch für eine zukünftige Referenz auf. Das Gerät darf nur für den in diesem Handbuch aufgeführten Zweck verwendet werden.

SVENSKA

VIKTIGT: För din säkerhets skull bör du läsa och komma ihåg instruktionerna nedan innan du använder produkten. Behåll manualen för framtida referens. Enheten får endast användas för ändamålen som beskrivs i denna manual.

ITALIANO

IMPORTANTE: Leggere e ricordare le seguenti istruzioni prima dell'uso per garantire la propria sicurezza. Conservare il manuale per una futura consultazione. L'unità deve essere utilizzata solo per i fini elencati in questo manuale.

ESPAÑOL

IMPORTANTE: A fin de garantizar su seguridad, lea y recuerde estas instrucciones antes del uso. Guarde el manual para poder realizar las consultas necesarias en el futuro. La unidad de aire comprimido debería utilizarse únicamente para los propósitos indicados en este manual.

NEDERLANDS

BELANGRIJK: Lees voor gebruik de volgende instructies goed door en onthoud deze voor uw eigen veiligheid. Bewaar de handleiding voor toekomstige raadpleging. De eenheid mag alleen worden gebruikt voor de doelen in deze handleiding.

SUOMI

TÄRKEÄÄ: Oman turvallisuutesi varmistamiseksi lue ja pidä mielessä seuraavat ohjeet ennen käyttöä. Säilytä opas myöhempiä tarvetta varten. Yksikköä tulee käyttää ainoastaan tässä oppaassa lueteltuihin tarkoituksiin.

DANSK

VIGTIGT: Læs og husk denne vejledning før brug, af hensyn til din egen sikkerhed. Behold vejledningen til senere opslagsbrug. Enheden bør kun anvendes til de formål, der er nævnt i denne vejledning.

NORSK

BELANGRIJK: Lees voor gebruik de volgende instructies goed door en onthoud deze voor uw eigen veiligheid. Bewaar de handleiding voor toekomstige raadpleging. De eenheid mag alleen worden gebruikt voor de doelen in deze handleiding.

POLSKI

WAŻNE: Aby zapewnić bezpieczeństwo, przed rozpoczęciem użytkowania należy przeczytać i zapamiętać poniższe instrukcje. Instrukcję obsługi należy zachować do wykorzystania w przyszłości. Aparatu można używać tylko do celów opisanych w niniejszej instrukcji obsługi.

ČEŠTINA

DŮLEŽITÉ: V zájmu vlastní bezpečnosti si před použitím přečtěte a zapamatujte instrukce v návodu. Návod si ponechte pro budoucí použití. Jednotka by měla být použita pouze pro účely vyjmenované v návodu.

中国

注意: 为了确保您的安全,使用前,请阅读并牢记以下说明。妥善保管好本手册,以便日后查阅。本装置只能用于本手册所述目的。

MAGYAR

FONTOS: Kérjük, saját biztonsága érdekében használat előtt olvassa el és jegyezze meg az alábbi utasításokat. Őrizze meg a kézikönyvet, a későbbiekben szükségére lehet rá. Az egészséget kizárólag a kézikönyvben felsorolt célokra szabad használni.

TÜRKÇE

ÖNEMLİ: Kendi güvenliğinizi sağlamak için solunum cihazını kullanmadan önce lütfen aşağıdaki talimatları okuyun ve unutmayın. Bu kılavuzu daha sonra kullanmak üzere saklayın. Bu cihaz, sadece bu kılavuzda belirtilen amaçlara yönelik olarak kullanılmalıdır.

РУССКИЙ

ВАЖНОЕ ПРИМЕЧАНИЕ! Ожальюта, прочтите и запомните следующие инструкции перед использованием данного изделия в целях обеспечения собственной безопасности. Сохраните данное руководство для дальнейшего использования. Эта система должна использоваться только для целей, указанных в данном руководстве.

Important

Please read and follow the instructions below to ensure your safety. If you have any questions, please contact your dealer or optrel. Please retain this manual for future reference. The compressed air device may only be used for the purpose stated in this manual.

1. Introduction

The suppliedair supplies an approved welding helmet or a grinding helmet (protective helmet) with filtered fresh air. When used correctly, the user is protected against dust and particles from the outside air. The air is taken from a compressed air source (compressor or air hose system) and is connected to the suppliedair unit. The airflow can be regulated on the suppliedair and directed into a protective mask or hood. The overpressure prevents contaminants from entering the breathing zone. At the same time, this slight overpressure ensures comfortable wearing (even during long periods of use).

suppliedair warns the user with a short whistle as soon as operating pressure falls below the limit. The air introduced into the suppliedair must be hygienically clean and comply with the EN 12021 standard (breathable air). If the air does not meet this requirement, install the suppliedair Conditioner between the suppliedair and the compressed air source.

The quality of the air at the outlet of the suppliedair Conditioner complies with EN 12021 when the unit is used in the intended temperature range (see chapter 10). The air from the compressor must meet the requirements in Chapter 1.1 correspond. The suppliedair Conditioner removes oil, dust, odours and aromas. Two users can be connected to one filter station. The suppliedair Conditioner does not remove carbon monoxide (CO) or carbon dioxide (CO₂) from the air.

The suppliedair Conditioner does not remove carbon monoxide (CO) or carbon dioxide (CO₂) from the air!!!

1.1. Requirements for compressed air supplied from the compressor

- The suppliedair Conditioner can only be connected to compressor which supplies air at an oxygen concentration of 20 % to 22 % vol. The carbon dioxide concentration must not exceed 500 ppm and the carbon monoxide concentration must not exceed 15 ppm.
- The maximum concentration of water in the air may be 50 mg/m³ at the rated pressure of 1 to 20 MPa. The humidity of the suppliedair must be controlled to prevent the unit from freezing.

2. Limitations on use

Before using the system, the user must become fully familiar with possible risks in the workplace, and be fully informed of the safe use of the personal protective equipment. In case of any doubt, please contact the manufacturer or your local distributor. Suppliedair systems must be used exclusively with with the headboard listed in this manual. Therefore read this manual in conjunction with the user manual of your suppliedair Headtop.

Read this manual carefully and follow its instructions!!!

- The user must fully understand the instructions.
- During strenuous work, if the user's breathing becomes too intense, the positive pressure inside the hood may fall and result in decrease in the protection factor.
- The use of oxygen-enriched air and oxygen is forbidden in the suppliedair system due to the risk of explosion.
- The system may only be used in environments with a small probability of damage to the supply hose and where the user's movement is not limited.
- If, in addition to suppliedair, another accessory (e.g. a spray gun) is connected to the compressed air supply the user must make sure that a sufficient air flow to the hood is secured even at the maximum air consumption by this accessory.
- If the unit is used in environments with high temperatures, the supply hose must be resistant to such effects.
- It is forbidden to use the unit in explosive environments.
- Before every use of the unit, check that the air flow is higher than the minimum value specified in the

technical parameters.

- If the unit stops supplying air for any reason, the user must leave the contaminated area immediately.
- When combined with a welding helmet, safety helmet or with a mask, the unit is not recommended for users with a beard or long hair extending to the respiratory zone.
- Beware of a higher CO₂ concentration in the air supply, which may occur if the compressor does not work properly when the lubricating oil sometimes burns due to high temperatures.
- The supply air pressure must be in the range between 400 - 1000 kPa.
- The air source must be equipped with a safety valve to guarantee that the inlet pressure will be not exceeded.
- The supply pressure hoses may only be located in such areas of the workplace where they cannot be damaged.
- Pressure hoses for suppliedair and suppliedair Conditioner, order No. 4090.050 and 4090.051, are not antistatic and the maximum temperature to which they are resistant without damage is 70 °C.
- The maximum length of the pressure hose from the compressed air distribution or suppliedair Conditioner to the unit must not exceed 10 m; this only applies for combinations of products with level of protection 1A - 4A. For combinations of products in the class 1B - 4B, the length of supply hose is unlimited.
- The recommended temperature range of use is 10 - 40 °C; at lower temperatures, use of the protective hood or mask with air supply may be unpleasant.
- For the suppliedair it is necessary to provide breathable air according to EN 12021.
- The suppliedair can be combined with the types of head parts shown on page 2 of the manual. It also shows the classes for the respective combinations.
- Information on head parts is provided in the instructions on using the suppliedair head parts

If any principle stated in this manual is not followed, the warranty becomes null and void!

3. Unpacking / Assembly / Use and Functions

3.1. Unpacking the suppliedair

Check that the delivery is complete and no damage occurred during the transport.

Contents of the suppliedair (4090.000), suppliedair (4090.010):

suppliedair unit	1 pc
Belt for the unit	1 pc
Air hose	1 pc
Air flow indicator	1 pc
User manual	1 pc

Contents of the suppliedair Conditioner (4090.100):

suppliedair Conditioner unit	1 pc
Unit stand	1 pc
Screws for connecting the unit to the stand	2 pcs
Gasket	4 pcs
Instruction for Use	1 pc

3.2. Assembling the suppliedair Conditioner (4090.100)

Screw the container (suppliedair Conditioner) down onto the stand; for the procedure see pictorial annex.

3.3. Assembly - suppliedair

- Check that all components are in good condition, i.e. without apparent damage.
- Connect suppliedair Conditioner to the compressed air distribution system or straight to a compressor. If the suppliedair Conditioner is not used, the compressed air supply is connected straight to the suppliedair.
- Attach the unit onto your belt and connect the pressure hose to it.
- Using the quick coupling, connect the pressure hose from the compressed air source to the suppliedair unit.

4. Before Use

4.1. Check before use

Check before every use:

- that individual parts, particularly the air hose and sealing elements, are free from any apparent damage,
- that the hose is fitted correctly to the unit and to the head part connector,
- that the air pressure in the distribution system is in the range 400 to 1000 kPa for both the suppliedair and For Mask, or in range of 300 to 1000 kPa in case of the suppliedair unit,
- the air flow according to Chapter 4.2 - the lowest allowable flow rate is 160 lpm,
- that air is supplied from the head part.

4.2. Air flow test (suppliedair)

All the suppliedair units are pre-adjusted to an airflow of 160 lpm. When measuring the airflow, follow the instructions in the manual enclosed with the flow indicator. If the flow rate is different, proceed as follows:

1. Pull the control knob, you will hear a click (see pictorial annex).
2. To set the optimal airflow, rotate the control knob counter-clockwise (see pictorial annex). To check the airflow you can connect flow indicator.
3. Push the control knob, you will hear a click (see pictorial annex).

WARNING! The airflow should not drop below 160 lpm!

5. Maintenance and Cleaning

suppliedair

Every time you finish work, it is recommended to clean the suppliedair unit, to check individual parts and to replace any damaged ones.

- Cleaning must be carried out in a well ventilated room. Avoid inhaling the harmful dust settled on individual parts of the unit and accessories!
- It is forbidden to use cleaning agents containing solvents or abrasives. Common detergents are recommended.
- The air hose can be rinsed with clean water.
- Use a damp cloth for cleaning. Each part must be wiped dry after cleaning.

suppliedair Conditioner

- Once a week, drain the condensate from the container bottom using the drain valve located on the bottom side. Before this operation, it is recommended to disconnect the unit from the compressed air supply.
- Replace the filter at least once every three months. After this period, viruses and bacteria may proliferate in the unit filter and if used regularly, the absorption capacity of the activated carbon eliminating smells may be exhausted (if the air leaving the suppliedair Conditioner smells in any way, replace the filter immediately).
- When replacing the filter, clean the inner part of the container with a dry cloth and common detergent.

Replacement of the suppliedair Conditioner filter (see pictorial annex)

- Unscrew the top part of the suppliedair Conditioner container (6 inbus screws).
- Remove the contaminated filter, wipe the inside of the container.
- Check the condition of the rubber seal in the top cover. If the seal is damaged, replace it.
- Install a new filter, put the container cover on and screw it back.
- Check the container for leakage. If the container is not absolutely tight, tighten all screws that fasten the top cover.

6. Storage

All components of suppliedair systems must be stored in rooms with temperatures between -10 °C and 55 °C with relative air humidity between 20 % and 80 %. The storage time in closed containers is max. 2 years.

7. Warranty

Warranty for manufacturing defects is 12 months from the date of sale to the customer. A claim must be filed with

the sales organization and proof of sale (invoice or delivery note) must be submitted.

Warranty does not cover in particular defects caused by a late replacement of the filter or by using a filter damaged by cleaning or blowing.

8. Possible Faults

If any fault occurs, e.g. a sudden decrease or increase in air supply, and the user it is first necessary to leave the workplace and then check the following:

- That the unit is assembled correctly.
- The filter condition in the suppliedair Conditioner.
- That the air hose is not damaged.
- That the noise silencer in the suppliedair is not clogged.
- That the face seal on a protective hood or a mask is in good condition.

THE UNIT DOES NOT SUPPLY A SUFFICIENT AMOUNT OF AIR	
Probable cause	Recommendation
Air hose or air duct blocked.	Check and remove the possible obstacle.
Air escapes through leakages.	Check all sealing elements and connections; check that the hose is not damaged and is without leaks.
The noise silencer is clogged.	Replace the noise silencer in the suppliedair.
The filter in the suppliedair Conditioner is clogged.	Replace the filter.

THE UNIT DOES NOT WORK AT ALL	
Probable cause	Recommendation
Compressed air supply failure. Hose damage.	Check the compressed air source.
	Check that connecting hoses are not damaged.
	Send the unit for an authorized service.

9. Technical Data

suppliedair	4090.000	4090.010
Minimum air flow	160 lpm	
Maximum air flow	250 lpm	
Weight of unit	280 g	
Inlet connection	Compatible with RECTUS series 25, 26 and CEJN320	G1 1/4"
Outlet connection	CA40x1/7"	
Noise level of unit	max. 70 dB	
Waist size	60 – 150 cm	
Supply pressure range	4 – 10 bar (4 – 10 bar (400 – 1000 kPa))	
Temperature range at work	+10 to +40 °C	
Air humidity range at workplace	20 % to 80 % Rh	
Certification	EN 14594 Class 3A	

suppliedair Conditioner	
Maximum air flow	500 lpm
Weight without filter	6 300 g
Weight including filter	6 800 g
Inlet connection	Compatible with RECTUS series 25, 26 a CEJN320.
Outlet connection	Compatible with RECTUS series 25, 26 a CEJN320.
Recommended temperature range at work	0 to +40 °C
Recommended air humidity range at workplace	20 % to 80 % Rh
Certification	Complies with EN 12021, providing the requirements of TP-610050-1 are met.

10. Approval, Certification

Compressed air line systems suppliedair Pressure are tested and approved in compliance with the requirements of the European standard EN 14594:2005 for use either with suppliedair protective hoods or suppliedair protective masks. All parts of the system used must be approved by the manufacturer and used in compliance with the instructions stated here in this user manual..

Notified body for CE testing: Výzkumný ústav bezpečnosti práce, v.v.i. – ZL
Testing Laboratory No. 1024, Jeruzalémská 1283/9, 110 00 Praha 1
Notified Body 1024

Declaration of Conformity is available at: <https://www.optrel.com/service/downloads/>



11. List of Spare Parts

suppliedair Pressure (Flow Master)	
Order No.:	Description:
4090.000	suppliedair + belt
4090.010	suppliedair + comfort belt
4090.050	Standard hose 10 m for suppliedair
4090.052	Antistatic hose 10 m for suppliedair
4090.051	Spiral hose 10 m for suppliedair , mechanically resistant - mod.
4090.020	Noise silencer
4090.030	Comfort padded belt
4090.040	Air flow indicator

suppliedair Conditioner	
Order No.:	Description:
4090.100	suppliedair Conditioner
4090.110	Filter for suppliedair Conditioner

12. Classification

Combinations of suppliedair with helmets and hoods	Classification
clearmaxx hardhat	1B
clearmaxx, e684 hardhat, crystal2.0 hardhat, panoramaxx2.5 hardhat,, panoramaxx CLT hardhat, panoramaxx quattro hardhat, e640 hardhat, e650 hardhat, e670 hardhat, e680 hardhat, vegaview2.5 hardhat	2B
e684, crystal2.0, panoramaxx2.5, panoramaxx CLT, panoramaxx quattro, e640, e650, e670, e680, vegaview2.5, liteflip autopilot, liteflip passive, liteflip autopilot hardhat, liteflip passive hardhat	3B
softhood long, softhood short	3A

Important

Veillez lire et mémoriser les instructions suivantes avant tout usage afin d'assurer votre propre sécurité. En cas de questions, veuillez contacter le fabricant ou votre distributeur.

Conservez le manuel pour vous y référer dans le futur. L'unité de compression d'air ne doit être utilisée qu'aux seules fins mentionnées dans le présent manuel.

1. Introduction

Les systèmes d'adduction d'air comprimé suppliedair Pressure sont des systèmes de protection respiratoire personnelle basés sur le principe de surpression d'air filtré alimenté en permanence dans la zone de respiration (appareils de protection respiratoire avec adduction continue d'air comprimé). L'air est alimenté par une source d'air comprimé (compresseur ou système d'adduction d'air) et fourni au système suppliedair, ce qui permet de réguler le flux d'air acheminé via une conduite d'air dans un masque ou une cagoule de protection. La surpression empêche les produits contaminants d'entrer dans la zone de respiration. Cette légère surpression assure en même temps le confort du porteur, même au cours d'une utilisation prolongée, car cela évite que le porteur ne doive faire des efforts pour respirer malgré la résistance du filtre.

suppliedair Pressure n'est pas le seul système équipé d'une jauge de pression pour contrôler la pression d'entrée et d'un sifflet d'alarme, les deux unités suppliedair Pressure Flow Master et suppliedair Pressure For Mask sont livrées avec la même fonction, qui avertit l'utilisateur si la pression d'entrée tombe sous le seuil inférieur de la pression de service minimale. L'air fourni directement depuis le compresseur ou le système d'adduction d'air doit être maintenu en état de propreté hygiénique et doit respecter la norme EN 12021. Si l'air ne respecte pas cette exigence, installez le suppliedair Conditioner (Luftaufbereitung) entre le suppliedair et la source d'air comprimé !

La qualité de l'air à la sortie du suppliedair Conditioner respecte la norme EN 12021 s'il est utilisé dans la plage de température définie au Chapitre 10 et si l'air fourni par le compresseur respecte les exigences du Chapitre 1.1. Le suppliedair Conditioner élimine l'humidité, les odeurs et les goûts. Il peut y avoir deux utilisateurs raccordés à la station de filtrage.

Le suppliedair Conditioner n'élimine pas le monoxyde (CO) ou le dioxyde (CO₂) de carbone de l'air !!!

1.1. Spécifications de l'air comprimé fourni par le compresseur

- Le suppliedair Conditioner ne peut être raccordé au compresseur qui fournit de l'air qu'à une concentration d'oxygène de 20 % à 22 % vol. La concentration de dioxyde de carbone ne peut dépasser 500 ppm et celle du monoxyde de carbone ne peut dépasser 15 ppm.
- La concentration maximale d'eau dans l'air est de 50 mg/m³ à la pression nominale de 1 à 20 MPa. L'humidité de l'air fourni doit être contrôlée afin d'empêcher l'unité de geler.

2. Précautions d'utilisation

Avant d'utiliser le système, l'utilisateur doit se familiariser pleinement avec les risques potentiels sur le lieu de travail, et être pleinement informé sur l'utilisation correcte des équipements de protection personnelle. En cas de doute, veuillez contacter le fabricant ou votre distributeur local. Les systèmes Fourniair doivent être utilisés exclusivement avec la tête de lit indiquée dans ce manuel. Par conséquent, lisez ce manuel en conjonction avec le mode d'emploi des cagoules suppliedair.

Lisez ce manuel attentivement et suivez ses instructions !

- L'utilisateur doit comprendre entièrement les instructions.
- Lors d'un travail ardu, si la respiration de l'utilisateur devient trop intense, la pression positive à l'intérieur de la cagoule peut tomber et entraîner une protection réduite.
- L'utilisation de l'air enrichi en oxygène et de l'oxygène est interdite dans le système suppliedair en raison du risque d'explosion.
- Le système ne peut être utilisé que dans des environnements dans lesquels les risques de dommages aux conduites d'alimentation sont faibles et où les mouvements de l'utilisateur ne sont pas restreints.
- Si, en sus du suppliedair, un autre accessoire (p. ex. pistolet vaporisateur) est raccordé à l'alimentation en air

comprimé, l'utilisateur doit vérifier que la cagoule bénéficie d'un flux d'air suffisant même lors d'une consommation maximale par cet accessoire.

- Si l'unité est utilisée dans des environnements sous haute température, la conduite d'approvisionnement doit être résistante aux effets de celle-ci.
- Il est interdit d'utiliser l'unité dans des environnements explosifs.
- Avant toute utilisation de l'unité, vérifiez que le débit d'air est plus élevé que la valeur minimale spécifiée dans les paramètres techniques.
- Si l'unité s'arrête de fournir de l'air pour une raison quelconque, l'utilisateur doit quitter la zone contaminée immédiatement.
- Lorsque l'unité est associée à un casque de soudure, un casque de sécurité ou un masque, son usage n'est pas recommandé pour les utilisateurs portant une barbe ou une chevelure dépassant la zone respiratoire.
- Faites attention aux concentrations en CO₂ dans l'alimentation en air, qui peut se produire si le compresseur ne fonctionne pas correctement lorsque l'huile de lubrification brûle parfois du fait des températures élevées.
- La pression de l'alimentation en air doit être comprise entre 400 et 1 000 kPa.
- La source d'air doit être équipée d'une vanne de sécurité pour garantir que la pression d'entrée ne sera pas dépassée.
- Les conduites d'alimentation sous pression ne peuvent être localisées que dans des zones de travail où elles ne peuvent être endommagées.
- Les tuyaux sous pression pour suppliedair et suppliedair Conditioner, numéro de commande 4090.050 et 4090.051, ne sont pas antistatiques et la température maximale à laquelle ils peuvent résister sans dommage est de 70 °C.
- La longueur maximale du tuyau sous pression allant de la distribution d'air comprimé ou du suppliedair Conditioner vers l'unité ne doit pas dépasser 10 m ; ceci ne s'applique qu'aux combinaisons de produits comportant un niveau de protection de 1A - 4A. Pour les combinaisons de produits de la classe 1B - 4B, la longueur du tuyau d'alimentation n'est pas limitée.
- La plage de température recommandée pour l'utilisation est de 10 – 40 °C ; aux températures inférieures, l'utilisation d'une cagoule ou d'un masque de protection avec une alimentation d'air peut devenir désagréable.
- Pour le suppliedair, il faut fournir de l'air respirable conformément à la norme EN 12021.
- Le suppliedair peut être combiné avec les types de couvre-chefs énumérés à la page 2 du manuel. Cela indique également les classes des combinaisons respectives. Les informations sur les accessoires pour la tête sont fournies dans les instructions sur l'utilisation des accessoires de tête CA.
- Si vous utilisez un suppliedair For Mask, vous devez placer un filtre à deux filetages approprié 50 02 48 ou 50 02 68 (en fonction des contaminants environnants) entre l'unité et le masque. Ce concept vous permettra de respirer en toute sécurité lors d'une évacuation si la source de pression s'arrête de fonctionner.

Si l'un des principes mentionné dans le présent manuel n'est pas respecté, la garantie devient nulle !

3. Déballage / assemblage / utilisation et fonctions

3.1. Déballage du suppliedair

Vérifiez que la livraison est complète et qu'aucun dommage ne s'est produit pendant le transport.

Contenu de suppliedair (4090.000), suppliedair (4090.010) :

Unité suppliedair	1 pc
Ceinture pour l'unité	1 pc
Tuyau d'air	1 pc
Indicateur de débit	1 pc
Mode d'emploi	1 pc

Contenu de suppliedair Conditioner (4090.100) :

Unité suppliedair Conditioner	1 pc
Support	1 pc
Vis pour fixer l'unité au support	2 pcs
joint	4 pcs
Instruction d'utilisation	1 pc

3.2. Déballage du suppliedair Conditioner (4090.100)

Vissez le conteneur (suppliedair Conditioner) sur le support ; pour la procédure, voir l'illustration figurant dans l'annexe.

3.3. Assemblage – suppliedair

- Vérifiez que tous les composants sont en bon état, c'est-à-dire sans dommage apparent.
- Raccordez le suppliedair Conditioner au système de distribution d'air comprimé ou directement à un compresseur. Si le suppliedair Conditioner n'est pas utilisé, l'alimentation en air comprimé est raccordée directement au suppliedair.
- Fixez l'unité sur votre ceinture et raccordez-y le tuyau sous pression.
- À l'aide du couplage rapide, raccordez le tuyau sous pression de la source d'air comprimé à l'unité suppliedair.

4. Avant utilisation

4.1. Vérifications avant utilisation

Vérifiez avant chaque utilisation :

- que les pièces individuelles, en particulier la conduite d'air et les éléments de scellages, sont exempts de tout dommage apparent,
- que la conduite est correctement fixée sur l'unité et au raccord de l'accessoire de tête,
- que la pression de l'air dans le système de distribution est comprise entre 400 et 1 000 kPa pour le suppliedair,
- le débit d'air selon le chapitre 4.2 – le débit le plus faible autorisé est de 170 lpm ;
- que de l'air est fourni par l'accessoire pour la tête.

4.2. Test de débit d'air (suppliedair)

Toutes les unités suppliedair sont pré-réglées sur un débit d'air de 170 lpm. Lorsque vous mesurez le débit d'air, suivez les instructions dans le manuel inclus avec l'indicateur de débit. Si le débit d'air est différent, procédez comme suit :

1. Tirez le bouton de commande, de façon à entendre un clic (voir l'annexe illustrée).
2. Afin de régler le débit d'air optimal, faites pivoter le bouton de commande en sens antihoraire (voir annexe illustrée). Afin de vérifier le débit d'air, vous pouvez raccorder l'indicateur de débit.
3. Poussez le bouton de commande, de façon à entendre un clic (voir l'annexe illustrée).

ATTENTION ! Le débit d'air ne doit pas tomber sous 160 lpm !

5. Maintenance et nettoyage

suppliedair

Chaque fois que vous terminez un travail, il est recommandé de nettoyer l'unité suppliedair, afin d'inspecter les pièces individuelles et de remplacer celles qui sont endommagées.

- Le nettoyage doit être effectué dans une pièce bien ventilée. Évitez d'inhaler de la poussière déposée sur les pièces individuelles de l'unité et des accessoires !
- Il est interdit d'utiliser des agents de nettoyage contenant des solvants ou des produits abrasifs. Les détergents communs sont recommandés.
- La conduite d'air doit être rincée à l'eau propre.
- Utilisez un chiffon humide pour le nettoyage. Chaque pièce doit être essuyée après le nettoyage.

suppliedair Conditioner

- Une fois par semaine, purgez le condensat au fond du récipient à l'aide de la vanne de purge située sur le côté du fond. Avant cette opération, il est recommandé de débrancher l'unité d'alimentation en air comprimé.
- Remplacez le filtre au moins une fois tous les trois mois. Après cette période, des virus et des bactéries peuvent proliférer dans le filtre de l'unité et, en cas d'usage régulier, la capacité d'adsorption du charbon actif éliminant les odeurs pourrait être épuisée (si l'air quittant le suppliedair Conditioner a une odeur quelconque, remplacez le filtre immédiatement).
- Lorsque vous remplacez le filtre, nettoyez la partie intérieure du récipient avec un chiffon sec et du détergent ordinaire.

Remplacement du filtre du suppliedair Conditioner (voir l'annexe illustrée)

- Dévissez la partie supérieure du récipient du suppliedair Conditioner (6 vis hexagonales).
- Retirez le filtre contaminé, essuyez l'intérieur du récipient.
- Vérifiez la condition du joint de caoutchouc sur le couvercle supérieur. Si le joint est endommagé, remplacez-le.
- Installez un nouveau filtre, placez le couvercle du récipient dessus et revissez-le.
- Vérifiez la présence de fuites dans le récipient. Si le récipient n'est pas absolument étanche, resserrez toutes les vis qui fixent le couvercle supérieur.

6. Stockage

Tous les composants des systèmes suppliedair doivent être stockés dans des pièces dont la température est comprise entre -10 °C et 55 °C, avec une humidité relative de l'air entre 20 % et 80 %. La durée de stockage dans des récipients fermés est au maximum de 2 ans.

7. Garantie

La garantie pour les défauts de fabrication est de 12 mois à compter de la date de la vente au client. Une réclamation doit être déposée auprès de l'organisation de ventes, en soumettant une preuve de la date de vente (facture ou bon de livraison).

La garantie ne couvre pas en particulier des défauts causés par un remplacement tardif du filtre ou par l'utilisation d'un filtre endommagé par le nettoyage ou le soufflage.

8. Défaillances possibles

Si une défaillance se produit, par exemple une diminution ou augmentation soudaine de l'alimentation en air, l'utilisateur doit impérativement quitter le lieu de travail, puis vérifier les points suivants :

- Que l'unité est correctement assemblée.
- La condition du filtre dans le suppliedair Conditioner.
- Que la conduite d'air n'est pas endommagée.
- Que le silencieux du suppliedair n'est pas obstrué.
- Que le joint facial sur la cagoule protectrice ou le masque est en bon état.

L'UNITÉ NE FOURNIT PAS UNE QUANTITÉ SUFFISANTE D'AIR	
Cause probable	Recommandation
Flexible ou conduite d'air bloqué.	Inspectez et retirez les obstacles éventuels.
Pertes d'air par fuites.	Vérifiez tous les éléments d'étanchéité et les raccordements ; vérifiez que la conduite d'air n'est pas endommagée et qu'elle est exempte de fuites.
Le silencieux est obstrué.	Remplacez le silencieux du suppliedair.
Le filtre du suppliedair Conditioner est obstrué.	Remplacez le filtre.

L'UNITÉ NE FONCTIONNE PAS DU TOUT	
Cause probable	Recommandation
Défaillance de l'alimentation en air. Dommage sur les flexibles.	Vérifiez la source d'air comprimé.
	Vérifiez que les conduits de raccordement ne sont pas endommagés.
	Envoyez l'unité pour une maintenance autorisée.

9. Données techniques

supplédair	4090.000	4090.010
Débit d'air minimum	160 lpm	
Débit d'air maximal	250 lpm	
Poids de l'unité	280 g	
Raccord d'entrée	Compatible avec RECTUS series 25, 26 et CEJN320	G1 1/4"
Raccord de sortie	CA40x1/7"	
Niveau sonore de l'unité	max. 70 dB	
Dimension de la taille	60 – 150 cm	
Plage de pression de l'alimentation	4 – 10 bar (4 – 10 bar (400 – 1000 kPa))	
Plage de température au travail	+10 to +40 °C	
Plage d'humidité de l'air sur le lieu de travail	20 % to 80 % Rh	
Certification	EN 14594 Class 3A	

supplédair Conditioner	
Débit d'air maximal	500 lpm
Poids sans filtre	6 300 g
Poids filtre inclus	6 800 g
Raccord d'entrée	Compatible avec RECTUS series 25, 26 et CEJN320.
Raccord de sortie	Compatible avec RECTUS series 25, 26 et CEJN320.
Plage de température recommandée au travail	0 à +40 °C
Plage d'humidité de l'air recommandée sur le lieu de travail	20 % à 80 % HR
Certification	Conforme à la norme EN 12021, à condition que les exigences de TP-610050-1 soient respectées.

10. Approbation, certification

Les systèmes d'adduction d'air comprimé supplédair Pressure sont testés et approuvés en conformité avec les exigences de la norme européenne EN 14594:2005 pour l'utilisation avec des cagoules protectrices supplédair ou des masques de protection supplédair. Toutes les pièces du système utilisées doivent être approuvées par le fabricant et utilisées conformément aux instructions mentionnées ici dans le présent manuel.

Notified Body pour les tests CE :

Výzkumný ústav bezpečnosti práce, v.v.i. – ZL
Laboratoire de test No. 1024, Jeruzalémská 1283/9, 110 00 Praha 1
Notified Body 1024

Déclaration de conformité est disponible à:
<https://www.optrel.com/service/downloads/>



11. Liste des pièces détachées

suppliedair Pressure (Flow Master)	
N° de commande :	Description :
4090.000	suppliedair + ceinture
4090.010	suppliedair + ceinture de confort
4090.050	Tuyau standard de 10 m pour suppliedair
4090.052	Tuyau antistatique de 10 m pour suppliedair
4090.051	Tuyau en spirale de 10 m pour suppliedair , résistant mécaniquement – mod.
4090.020	Silencieux
4090.030	Ceinture de confort rembourrée
4090.040	Indicateur de débit d'air

suppliedair Conditioner	
N° de commande :	Description :
4090.100	suppliedair Conditioner
4090.110	Filtre suppliedair Conditioner

12. Classification

Combinaisons suppliedair avec les casques et des cagoules	Classification
clearmaxx hardhat	1B
clearmaxx, e684 hardhat, crystal2.0 hardhat, panoramaxx2.5 hardhat,, panoramaxx CLT hardhat, panoramaxx quattro hardhat, e640 hardhat, e650 hardhat, e670 hardhat, e680 hardhat, vegaview2.5 hardhat	2B
e684, crystal2.0, panoramaxx2.5, panoramaxx CLT, panoramaxx quattro, e640, e650, e670, e680, vegaview2.5, liteflip autopilot, liteflip passive, liteflip autopilot hardhat, liteflip passive hardhat	3B
softhood long, softhood short	3A

Wichtig

Bitte lesen und befolgen Sie die folgenden Anweisungen, um Ihre Sicherheit zu gewährleisten. Bei Fragen kontaktieren Sie bitte Ihren Händler oder optrel.

Bitte bewahren Sie dieses Handbuch für eine zukünftige Referenz auf. Das Druckluftgerät darf nur für den in diesem Handbuch aufgeführten Zweck verwendet werden.

1. Einleitung

Das suppliedair versorgt einen zugelassenen Schweiß- oder einen Schleifhelm (Schutzhelm) mit gefilterter Frischluft. Bei korrekter Anwendung wird der Benutzer gegen Staub und Partikel der Aussenluft geschützt. Die Luft wird einer Druckluftquelle (Kompressor oder Luftschlauchsystem) entnommen und am suppliedair Gerät angeschlossen. Der Luftstrom kann am suppliedair eingestellt und in eine Schutzmaske oder -haube geleitet werden. Der Überdruck verhindert das Eindringen von Verunreinigungen in die Atemzone. Gleichzeitig stellt dieser schwache Überdruck ein bequemes Tragen sicher (selbst bei langer Anwendung).

Das suppliedair warnt den Anwender, mit einem kurzen Pfeifton sobald Betriebsdrucks unter den Grenzwert fällt. Die ins suppliedair eingeleitete Luft muss hygienisch rein sein und der Norm EN 12021 entsprechen (Atembare Luft). Wenn die Luft nicht dieser Anforderung entspricht, installieren Sie den suppliedair Conditioner (Luftaufbereitung) zwischen dem suppliedair und der Druckluftquelle.

Die Qualität der Luft am Ausgang des suppliedair Conditioner entspricht EN 12021, wenn das Gerät im vorgesehenen Temperaturbereich verwendet wird (siehe Kapitel 10). Die Luft aus dem Kompressor muss den Anforderungen in Kapitel 1.1 entsprechen. Der suppliedair Conditioner entfernt Ölnebel, Gerüche und Aromen. Es können zwei supplied air an eine Filterstation angeschlossen werden.

Der suppliedair Conditioner entfernt weder Kohlenmonoxid (CO) noch Kohlendioxid (CO₂) aus der Luft.

1.1 Anforderungen an die vom Kompressor eingeleitete Druckluft

- Der suppliedair Conditioner darf nur an einen Kompressor angeschlossen werden, der Luft mit einer Konzentration von 20 bis 22 Vol.-% Sauerstoff liefert. Dabei darf die Kohlenstoffdioxidkonzentration 500 ppm nicht überschreiten. Für Kohlenstoffmonoxid gilt eine maximale Konzentration von 15 ppm.
- Die maximale Wasserkonzentration in der Luft darf bei einem Nenndruck von 1 bis 20 MPa 50 mg/m³ betragen.
- Bei höheren Luftfeuchtigkeit kann das Gerät Einfrieren.

2. Gebrauchseinschränkungen

Vor Gebrauch des Geräts muss der Anwender alle möglichen Risiken am Arbeitsplatz genau kennen und vollständig über die sichere Verwendung der persönlichen Schutzausrüstung informiert sein. Kontaktieren Sie im Zweifelsfall Ihren Händler vor Ort oder optrel. Das suppliedair darf nur mit einem optrel PAPR Schweiß- oder Schleifhelmen oder Haube verwendet werden. Lesen Sie daher dieses Handbuch zusammen mit dem Benutzerhandbuch für ihren optrel PAPR Schweiß- oder Schleifhelm oder Haube.

Lesen Sie dieses Handbuch sorgfältig durch und befolgen Sie die Anweisungen!

- Der Anwender muss die Anweisungen vollständig verstehen.
- Bei sehr schneller Atmung kann der Überdruck innerhalb der Haube sinken und so den Schutzfaktor verringern.
- Sauerstoffangereicherter Luft oder reinem Sauerstoff ist mit dem suppliedair aufgrund der Explosionsgefahr verboten.

- Der Zufuhrschlauch darf durch die Umgebung nicht beschädigt werden und der Benutzer muss zu jeder Zeit genug Bewegungsfreiheit haben.
- Die Druckluftversorgung muss der Haube auch dann die Mindestluftmenge liefern, wenn andere Verbraucher (z. B. eine Sprühpistole) an die gleiche Druckluftversorgung angeschlossen wird und auf maximalem Luftverbrauch des Zubehörs eingestellt ist.
- Bei Gebrauch in Umgebungen mit hohen Temperaturen, muss der Zufuhrschlauch den Einwirkungen standhalten können.
- Es ist verboten, das Gerät in explosiven Umgebungen zu verwenden.
- Vor jedem Gebrauch des Geräts muss überprüft werden, ob der Luftstrom höher als der in den technischen Parametern angegebene minimale Wert ist.
- Falls beim Gerät die Luftzufuhr stoppt muss der Anwender den verunreinigten Bereich sofort verlassen.
- Ein Bart oder langes Haar in der Atemzone kann die Schutzwirkung beeinträchtigen. Achten Sie auf eine erhöhte CO₂-Konzentration in der Luftzufuhr. Dies kann bei einer Fehlfunktion des Kompressor s auftreten, z. B wenn das Schmieröl bei hohen Temperaturen brennt.
- Der Luftzufuhrschlauch muss einem Druck zwischen 400 und 1.000 kPa standhalten.
- Die Luftquelle muss mit einem Sicherheitsventil ausgestattet sein, so dass der zulässige Druck nicht überschritten wird.
- Die Versorgungsdruckschläuche dürfen nur in Bereichen gelagert werden, wo eine Beschädigung ausgeschlossen ist.
- Die Druckschläuche für das suppliedair und den suppliedair Conditioner (Bestellnr. 4090.050 und 4090.051) sind nicht antistatisch und die maximale Temperatur, der sie ohne Beschädigung standhalten, beträgt 70 °C.
- Die maximale Länge des Druckschlauchs von der Druckluftverteilung oder dem suppliedair Conditioner zum suppliedair darf 10 m nicht überschreiten. Dies gilt nur für Produktkombinationen mit der Schutzklasse 1A bis 4A.
- Der empfohlene Temperaturbereich für den Gebrauch beträgt 10 bis 40 °C. Bei geringeren Temperaturen kann der Gebrauch der Schutzhaube oder -maske mit Luftzufuhr unangenehm sein.
- Für das suppliedair muss Atemluft gemäß EN 12021 bereitgestellt werden.
- Das suppliedair kann mit den Kopfteilen kombiniert werden, die auf Seite 2 des Handbuchs aufgeführt sind. Außerdem sind die Schutzklassen für die jeweiligen Kombinationen aufgeführt.
- Informationen zu den Kopfteilen können den Anweisungen zum Gebrauch der Kopfteile entnommen werden.

Wenn ein in diesem Handbuch aufgeführtes Verfahren nicht eingehalten wird, erlischt die Garantie!

3. Auspacken/Montage/Gebrauch und Funktionen

3.1 Auspacken des suppliedair

Bei Erhalt der Lieferung muss diese auf Vollständigkeit und etwaige Transportschäden geprüft werden.

Lieferumfang des suppliedair (4090.000) bzw. suppliedair (4090.010):

suppliedair	1 Stk.
Gürtel für Gerät	1 Stk.
Luftschlauch	1 Stk.
Luftstromanzeige	1 Stk.
Benutzerhandbuch	1 Stk.

Lieferumfang des suppliedair Conditioner (4090.100):	
suppliedair Conditioner Gerät	1 Stk.
Geräteständer	1 Stk.
Schrauben zur Verbindung des Geräts mit dem Ständer	2 Stk.
Dichtung	1 Stk.
Gebrauchsanweisung	1 Stk.

3.2 Montage des suppliedair Conditioner (4090.100)

Schrauben Sie den Container (suppliedair Conditioner) auf den Ständer (siehe Bildanhang für Anweisungen).

3.3 Montage des suppliedair

- Prüfen Sie, ob alle Komponenten in einem guten Zustand sind, d. h. keine offensichtliche Beschädigung.
- Verbinden Sie den suppliedair Conditioner mit dem Druckluftverteilersystem oder direkt mit einem Kompressor. Wird der suppliedair Conditioner nicht verwendet, wird die Druckluftversorgung direkt mit dem suppliedair (Flow Master/For Mask) verbunden.
- Bringen Sie das Gerät an Ihrem Gürtel an, und schließen Sie den Druckschlauch daran an.
- Schließen Sie den Druckschlauch mithilfe der Schnellkupplung zwischen Druckluftquelle und suppliedair Gerät an.

4. Vor dem Gebrauch

4.1 Überprüfung vor Gebrauch

Überprüfen Sie vor Gebrauch:

- Ob die einzelnen Teile, insbesondere der Luftschlauch und die Dichtungselemente, frei von offensichtlichen Schäden sind.
- Ob der Schlauch korrekt mit dem Gerät und dem Kopfteilanschluss verbunden ist.
- Ob der Luftdruck im Verteilersystem für den suppliedair im Bereich von 400 bis 1.000 kPa liegt.
- Ob der Luftdruck den Angaben in Kapitel 4.2 entspricht. Der minimal zulässige Luftstrom beträgt 170 l/m.
- Ob die Luft vom Kopfteil bereitgestellt wird.

4.2 Luftstromtest (suppliedair)

Alle suppliedair Geräte sind auf einen Luftstrom von 170 l/m voreingestellt. Folgen Sie bei der Messung des Luftstroms den Anweisungen im Handbuch der Luftstromanzeige. Wenn der Luftstrom einen anderen Wert aufweist, gehen Sie wie folgt vor:

1. Ziehen Sie den Reglerknopf, bis Sie ein Klicken hören (siehe Bildanhang).
2. Drehen Sie zur Einstellung des optimalen Luftstroms den Reglerknopf gegen den Uhrzeigersinn (siehe Bildanhang). Zur Überprüfung des Luftstroms können Sie die Luftstromanzeige anschließen.
3. Drücken Sie den Reglerknopf, bis Sie ein Klicken hören (siehe Bildanhang).

WARNUNG! Der Luftstrom darf nicht unter 160 l/m fallen!

5. Wartung und Reinigung

suppliedair

Nach Abschluss der Arbeit wird empfohlen, das suppliedair Gerät zu reinigen, alle Einzelteile zu überprüfen und beschädigte Teile zu ersetzen.

- Die Reinigung muss in einem gut belüfteten Raum erfolgen. Vermeiden Sie das Einatmen des schädlichen Staubs, der sich auf den einzelnen Teilen des Geräts und des Zubehörs abgesetzt hat.
- Reinigungsmittel mit Lösungs- oder Schleifmittel sind verboten. Gängige Reinigungsmittel werden empfohlen.

- Der Luftschlauch kann mit klarem Wasser gereinigt werden.
- Verwenden Sie zur Reinigung ein feuchtes Tuch. Jedes Teil muss nach der Reinigung trocken gerieben werden.

suppliedair Conditioner

- Lassen Sie einmal pro Woche das Kondensat vom Containerboden ab, indem Sie das Ablassventil an der Unterseite verwenden. Vor diesem Vorgang muss das Gerät von der Druckluftzufuhr getrennt werden und der Überdruck abgelassen werden.
- Tauschen Sie den Filter mindestens einmal alle drei Monate aus. Nach diesem Zeitraum könnten sich Viren und Bakterien im Gerätefilter vermehren. Außerdem könnte bei regelmäßigem Gebrauch die Adsorptionskapazität der Aktivkohle, die Gerüche eliminiert, erschöpft sein (falls die Luft aus dem suppliedair Conditioner einen Geruch aufweist, tauschen Sie den Filter sofort aus).
- Reinigen Sie beim Austausch des Filters das Innere des Behälters mit einem trockenen Tuch und einem gängigen Reinigungsmittel.

Austausch des suppliedair Conditioner Filters (siehe Bildanhang)

- Schrauben Sie den oberen Teil des suppliedair Conditioner ab (6 Inbusschrauben).
- Entfernen Sie den verunreinigten Filter, und wischen Sie das Innere des Containers aus.
- Überprüfen Sie den Zustand der Gummidichtung am Deckel. Falls die Dichtung beschädigt ist, tauschen Sie diese aus.
- Installieren Sie einen neuen Filter, setzen Sie den Deckel auf und schrauben Sie ihn wieder an.
- Prüfen Sie den Container auf Leckstellen. Falls der Container nicht absolut dicht ist, montieren und prüfen Sie den Deckel erneut.

6. Lagerung

Alle Komponenten der suppliedair Geräte müssen in Räumen mit Temperaturen zwischen -10 und 55 °C und einer relativen Luftfeuchtigkeit zwischen 20 und 80 % aufbewahrt werden. Die Lagerdauer in geschlossenen Behältern beträgt max. 2 Jahre.

7. Garantie

Die Garantie auf Herstellungsfehler beträgt 12 Monate ab dem Datum des Verkaufs an den Kunden. Ein Garantieanspruch muss beim Händler eingefordert werden, wobei ein Kaufnachweis (Rechnung oder Lieferschein) vorgelegt werden muss.

Die Garantiedeckt keine Defekte, die durch ein zu spätes Austauschen des Filters oder durch Verwendung eines durch die Reinigung oder Ausblasung beschädigten Filters entstanden sind.

8. Mögliche Fehler

Falls ein Fehler eintritt (z. B. plötzliche Verringerung oder Erhöhung der Luftzufuhr), muss der Anwender sich zunächst in eine sichere Umgebung begeben und kann anschließend folgende Punkte überprüfen.

- Die korrekte Montage des Geräts
- Der Filterzustand im suppliedair Conditioner
- Eine eventuelle Beschädigung des Luftschlauchs
- Eine Verstopfung des Filters im suppliedair
- Der Zustand der Gleitringdichtung an der Schutzhaube oder -maske.

DAS GERÄT LIEFERT EINE UNZUREICHENDE LUFTMENGE	
Problemursache	Empfehlung
Der Luftschlauch oder Luftkanal ist blockiert.	Überprüfen Sie den Schlauch/Kanal, und entfernen Sie eventuelle Hindernisse.
Luft tritt durch Leckstellen aus.	Prüfen Sie alle Dichtungselemente und Verbindungsstellen. Überprüfen Sie, ob der Schlauch eventuell beschädigt ist oder Leckstellen aufweist.
Der Schalldämpfer ist verstopft.	Tauschen Sie den Schalldämpfer im suppliedair aus.
Der Filter im suppliedair Conditioner ist verstopft.	Tauschen Sie den Filter aus.

DAS GERÄT FUNKTIONIERT NICHT	
Problemursache	Empfehlung
Die Druckluftversorgung ist ausgefallen. Der Schlauch ist beschädigt.	Prüfen Sie die Druckluftquelle.
	Überprüfen Sie, ob die Anschlussschläuche beschädigt sind.
	Schicken Sie das Gerät für einen autorisierten Service ein.

9. Technische Daten

suppliedair	4090.000	4090.010
Minimaler Luftstrom	170 l/m	
Maximaler Luftstrom	250 l/m	
Gerätegewicht	280 g	
Eingangsanschluss	Kompatibel mit RECTUS Serie 25, 26 und CEJN320	G1 1/4"
Ausgangsanschluss	CA40x1/7"	
Geräuschpegel des Geräts	max. 70 dB	
Hüftumfang	60–150 cm	
Versorgungsdruckbereich	400–1.000 kPa	
Temperaturbereich bei Betrieb	+10 bis +40 °C	
Luftfeuchtigkeit am Arbeitsplatz	20 bis 80 % (rel.)	
Zertifizierung	EN 14594 Klasse 3A	

suppliedair Conditioner	
Maximaler Luftstrom	500 l/m
Gewicht ohne Filter	6.300 g
Gewicht mit Filter	6.800 g
Eingangsanschluss	Kompatibel mit RECTUS Serie 25, 26 und CEJN320.
Ausgangsanschluss	Kompatibel mit RECTUS Serie 25, 26 und CEJN320.
Empfohlener Temperaturbereich bei Betrieb	0 bis +40 °C
Empfohlene Luftfeuchtigkeit am Arbeitsplatz	20 bis 80 % (rel.)
Zertifizierung	Entspricht EN 12021, unter der Voraussetzung, dass die Anforderungen von TP-610050-1 erfüllt sind.

10. Genehmigung und Zertifizierung

Die Druckluft-Schlauchgeräte suppliedair Pressure werden gemäß den Anforderungen der EU-Richtlinie EN 14594:2005 geprüft und genehmigt, damit sie mit allen optrel Helmen und Masken genutzt werden können. Alle Teile des Geräts müssen vom Hersteller genehmigt und gemäß den Anweisungen in diesem Benutzerhandbuch verwendet werden.

Link zur Konformitätserklärung:

Benannte Stelle:

Výzkumný ústav bezpečnosti práce, v.v.i. – ZL
Testing Laboratory No. 1024, Jeruzalémská 1283/9,
110 00 Praha 1
Notified Body 1024



<https://www.optrel.com/service/downloads/>

11. Ersatzteilliste

suppliedair	
Bestellnr.:	Beschreibung:
4090.000	suppliedair + Komfortgürtel
4090.010	suppliedair G1 1/4" + Komfortgürtel
4090.050	Standardschlauch (10 m)
4090.052	Antistatischer Schlauch (10 m) für suppliedair
4090.051	Spiralschlauch (10 m), mechanisch belastbar
4090.020	Schalldämpfer
4090.030	Gepolsterter Komfortgürtel
4090.040	Luftstromanzeige

suppliedair Conditioner	
Bestellnr.:	Beschreibung:
4090.100	suppliedair Conditioner
4090.110	Filter für suppliedair Conditioner

12. Klassifizierung

Kombinationen suppliedair mit Helmen und Hauben	Klasse
clearmaxx hardhat	1B
clearmaxx, e684 hardhat, crystal2.0 hardhat, panoramaxx2.5 hardhat, panoramaxx CLT hardhat, panoramaxx quattro hardhat, e640 hardhat, e650 hardhat, e670 hardhat, e680 hardhat, vegaview2.5 hardhat	2B
e684, crystal2.0, panoramaxx2.5, panoramaxx CLT, panoramaxx quattro, e640, e650, e670, e680, vegaview2.5, liteflip autopilot, liteflip passive, liteflip autopilot hardhat, liteflip passive hardhat	3B
softhood long, softhood short	3A

Viktigt

För din säkerhets skull bör du läsa och komma ihåg instruktionerna nedan innan du använder produkten. Om du har frågor, kontakta tillverkaren eller din återförsäljare.

Behåll manualen för framtida referens. Tryckluftsensheten får endast användas för ändamålen som beskrivs i denna manual.

1. Introduktion

Trycksatta andningskällor suppliedair Pressure är system för andningsskydd som baseras på principen med övertryck av kontinuerligt tillförd filtrerad luft i andningsregionen (apparater för kontinuerligt flöde av tryckluft). Luft tas från en tryckluftskälla (kompressor eller central), och levereras till suppliedair-systemet som reglerar luftflödet genom en slang kopplad till en ansiktsmask eller kåpa. Övertrycket förhindrar föroreningar från att komma in i andningsregionen. Det milda övertrycket hjälper på samma gång användaren att andas bekvämt då användaren inte behöver anstränga sig för att andas genom filtret.

suppliedair Pressure är inte det enda systemet som är utrustat med en mätare för matningstryck och varningsvissla. Både suppliedair Pressure Flow Master- och suppliedair Pressure For Mask-enheterna erbjuder samma funktion som varnar om matningstrycket sjunker under minimigränsen. Luften från kompressorn eller centralsystemet måste vara hygieniskt ren och måste följa standarden EN 12021. Om standarden inte följs, kan suppliedair Conditioner-enheten (suppliedair Conditioner) installeras mellan suppliedair och luftkällan.

Luftkvaliteten vid utgången på suppliedair Conditioner följer EN 12021 om den används under förutsättningarna i kapitel 10, och luften från kompressorn klarar kraven i kapitel 1.1. suppliedair Conditioner-enheten tar bort oljepartiklar, lukter och smaker. Två användare kan anslutas till en filterstation.

suppliedair Conditioner-enheten tar ej bort kolmonoxid (CO) eller koldioxid (CO₂) från luften.

1.1. Krav för tryckluft från kompressor

- suppliedair Conditioner-enheten får endast kopplas till kompressor som levererar luft med syrekonzentration på 20 till 22 volymprocent. Koldioxidkonzentrationen får ej överstiga 500 ppm och kolmonoxidkonzentrationen får ej överstiga 15 ppm.
- Maximal tillåten vattenkonzentration i luften är 50 mg/m³ vid arbetstrycket på 1 till 20 MPa. Luftfuktigheten från luftkällan måste kontrolleras för att förhindra frost i enheten.

2. Begränsningar

Innan systemet används måste användaren bli väl förtrogen med möjliga risker på arbetsplatsen och måste vara väl informerad om hur skyddsutrustning används säkert. Om någon ovisshet finns, kontakta tillverkaren eller din lokala återförsäljare. Suppliedair-system måste användas exklusivt tillsammans med huvudgaveln som anges i denna handbok. Läs därför också manualen för suppliedair-maskerna.

Läs denna manual noga och följ instruktionerna häri.

- Det är viktigt att användaren förstår dessa instruktioner till fullo.
- Vid hårt fysiskt arbete är det möjligt att användarens andning blir intensiv nog att övertrycket i masken fallerar
- och skyddsfaktorn sjunker.
- Syreberikad luft får aldrig användas i suppliedair-systemet pga explosionsrisk.
- Systemet får endast användas i miljöer där matningsslangen ej riskerar att skadas och användarens rörlighet ej begränsas.
- Om ett extra tillbehör utöver suppliedair ansluts till tryckluftskällan (exempelvis en sprutpistol) måste användaren se till att tillräckligt lufttryck finns tillgängligt även när tillbehöret används maximalt.
- Om enheten används i varma miljöer måste matningsslangen tåla dem.
- Det är förbjudet att använda enheten i explosiva miljöer.
- Före varje användning av enheten måste lufttrycket kontrolleras vara över minsta specificerade värde i de tekniska parametrarna.
- Om enheten av någon anledning slutar matas med luft, måste användaren lämna det förorenade området omedelbart.
- Enheten bör ej användas tillsammans med svetsmask, skyddshjälm eller annan mask om användaren har

- skägg eller långt hår som sträcker sig till andningsområdet.
- Se upp för en högre CO₂-koncentration från luftkällan, som kan uppstå ifall kompressorn går sönder och bränner smörjolja vid höga temperaturer.
- Matningstrycket måste ligga mellan 400 och 1 000 kPa.
- Luftkällan måste vara utrustad med säkerhetsventil för att garantera att matningstrycket ej överskrids.
- Matningsslängarna får endast dras genom arbetsområdet på så sätt att de inte kan komma till skada.
- Tryckslangar för suppliedair och suppliedair Conditioner, ordernummer 4090.050 och 4090.051, är ej antistatiska och tål högst 70 °C.
- Tryckslangens längd mellan luftkällan eller suppliedair Conditioner och enheten får ej överskrida 10 m. Detta gäller endast kombinationer av produkter med skyddsnivå mellan 1A och 4A. För kombinationer av produkter med skyddsnivå mellan 1B och 4B finns ingen begränsning.
- Rekommenderad arbetstemperatur är mellan 10 och 40 °C. Vid lägre temperaturer kan kåpan eller masken bli obekväma.
- Luften som matas till suppliedair måste vara andningsbar enligt EN 12021.
- suppliedair kan kombineras med huvuddelarna som visas i bilden på manualens framsida. Bilden visar även skyddsklass för respektive kombinationer.
- Information om huvuddelar finns i deras instruktionsmanualer.
- Om en suppliedair For Mask används måste ett lämpligt dubbelgångat filter (50 02 48 eller 50 02 68 beroende på föroreningen) användas mellan enheten och masken. Detta kommer att låta dig andas säkert i ett eventuellt nödläge om tryckkällan slutar fungera.

Om någon regel i denna manual ej följs blir garantin ogiltig.

3. Uppackning/Montering/Användning

3.1. Packa upp suppliedair

Kontrollera att leveransen är komplett och att ingen skada skett under transport.

Innehåll suppliedair (4090.000), suppliedair (4090.010):

suppliedair	1 st
Bälte till enheten	1 st
Luftslang	1 st
Flödesmätare	1 st
Användarmanual	1 st

Innehåll suppliedair Conditioner (4090.100):

suppliedair Conditioner-enhet	1 st
Stativ	1 st
Skrubar för att montera enheten på stativ	2 st
Tätningar	4 st
Användarmanual	1 st

3.2. Montera suppliedair Conditioner (4090.100)

Skruva behållaren (suppliedair Conditioner) på stativet. För närmare instruktioner se bild.

3.3. Montera – suppliedair

- Kontrollera att alla komponenter är i gott skick, dvs. utan synliga skador.
- Anslut suppliedair Conditioner till tryckluftskällan eller direkt till kompressorn. Om suppliedair Conditioner inte används ansluts tryckluft direkt till suppliedair.
- Sätt enheten på bältet och anslut matningsslängen.
- Använd snabbkopplingen för att koppla tryckslangen från källan till suppliedair-enheten

4. Före användning

4.1. Kontroll före användning

Kontrollera innan varje användning:

- Att individuella delar, speciellt luftslang och tätningar, är oskadade och ej har synliga skador,
- att slangen är väl monterad på enheten och huvuddelens anslutning,
- att lufttrycket i distributionssystemet ligger mellan 400 och 1 000 kPa för både suppliedair och For Mask, eller 300 till 1 000 kPa för suppliedair-enheten,
- att luftflödet är enligt kapitel 4.2: lägsta tillåtna flöde är 160 lpm,
- att luft matas till huvuddelen.

4.2. Flödestest (suppliedair)

Alla suppliedair-enheter är förinställda för ett flöde på 160 lpm. Följ instruktionerna i manualen som medföljer flödesmätaren för att mäta luftflöde. Om annat flöde uppmäts:

1. Dra i vredet tills ett klick hörs (se bild).
2. Vrid moturs för att ställa in optimalt luftflöde (se bild). Anslut en flödesmätare för att kontrollera luftflödet.
3. Tryck in vredet igen tills ett klick hörs (se bild).

WARNING! Flödet får aldrig gå under 160 lpm.

5. Underhåll och rengöring

suppliedair

suppliedair-enheten bör rengöras varje gång efter avslutat arbete, individuella delar inspekteras och trasiga delar bytas.

- Rengöring måste ske i ett väl ventilerat rum. Undvik att andas in skadligt damm som kan ha lagt sig på enheten och dess tillbehör.
- Rengöringsmedel innehållande lösningsmedel eller slipmedel får ej användas. Handdiskmedel rekommenderas.
- Luftslangen kan rengöras med vanligt vatten.
- Rengör med en fuktig trasa. Varje del måste torkas av efter rengöring.

suppliedair Conditioner

- Kondensbehållaren måste tömmas en gång i veckan via avloppsventilen undertill. Innan du gör detta är det lämpligt att koppla loss enheten från tryckluftskällan.
- Byt filter minst var tredje månad. Efter tre månader kan virus och bakterier föröka sig i filtret och om enheten används regelbundet kan kolfiltret utarmas och lukter ta sig igenom. Om luften från suppliedair Conditioner luktar måste filtret bytas omedelbart.
- När filtret byts ska insidan av behållaren rengöras med en torr trasa och handdiskmedel.

Ersättning av suppliedair Conditionerfiltret (se bild)

- Skruva loss toppen av suppliedair Conditioner-behållaren (6 st insexskruv).
- Ta bort det använda filtret och torka av behållarens insida.
- Kontrollera packningen i toppen. Om den är skadad ska den bytas ut.
- Montera ett nytt filter, sätt tillbaka toppen och skruva fast den.
- Kontrollera att behållaren ej läcker. Om behållaren inte är helt tät drar du åt alla skruvar som håller fast locket.

6. Förvaring

Alla delar av suppliedair-systemet måste förvaras i rum som håller temperaturer mellan -10 °C och 55 °C, med luftfuktighet på mellan 20 % och 80 %. Hållbarheten i obruten förpackning är max 2 år.

7. Garanti

Garanti för fabriktionsfel är 12 månader från försäljningsdatum till kund. En reklamation måste göras med försäljaren och inköpsbevis (faktura eller leveransbekräftelse) måste uppvisas.

Garantin täcker inte specifika fel som uppstår pga. sent byte av filter eller fel som uppkommer efter användning av filter som skadats av rengöring eller urlåsning.

8. Möjliga fel

Om fel uppstår (exempelvis plötslig förändring av lufttryck), är första prioritet att lämna arbetsområdet. Kontrollera sedan följande:

- Att enheten är rätt ihopsatt.
- Att filtret i suppliedair Conditioner är i gott skick.
- Att luftslangen är hel.
- Att ljuddämparen i suppliedair/suppliedair/suppliedair For Mask inte är igentäppt.
- Att ansiktstätningen på kåpa eller mask är i gott skick.

ENHETEN LEVERERAR INTE TILLRÄCKLIGT MED LUFT	
Sannolik anledning	Rekommendation
Slang eller ventil blockerad.	Hitta och avlägsna hindret.
Luftläckor.	Kontrollera alla tätningar och anslutningar. Kontrollera att slangerna inte är skadade eller läcker.
Ljuddämparen är blockerad.	Ersätt ljuddämparen i suppliedair.
Filtret i suppliedair Conditioner är blockerat.	Ersätt filtret.

ENHETEN FUNGERAR INTE ALLS	
Sannolik anledning	Rekommendation
Fel i tryckluftskälla. Slangskada.	Kontrollera tryckluftskällan.
	Kontrollera att slangarna inte är skadade.
	Skicka enheten på service hos auktoriserad fackman.

9. Tekniska data

suppliedair	4090.000	4090.010
Minimalt luftflöde	160 lpm	
Maximalt luftflöde	250 lpm	
Vikt för enhet	280 g	
Matningsanslutning	Kompatibel med RECTUS-serien 25, 26 och CEJN320	G1 1/4"
Utloppsanslutning	CA40x1/7"	
Ljudnivå för enhet	max. 70 dB	
Midjemått	60 – 150 cm	
Matningstryck	4 – 10 bar (4 – 10 bar (400 – 1000 kPa))	
Arbetstemperatur	+10 till +40 °C	
Relativ luftfuktighet	20 % till 80 % Rh	
Certifiering	EN 14594 Klass 3A	

suppliedair Conditioner	
Maximalt luftflöde	500 lpm
Vikt utan filter	6 300 g
Vikt inklusive filter	6 800 g
Matningsanslutning	Kompatibel med RECTUS-serien 25, 26 och CEJN320.
Utloppsanslutning	Kompatibel med RECTUS-serien 25, 26 och CEJN320.
Rekommenderad arbetstemperatur	+0 till +40 °C
Rekommenderad luftfuktighet	20 % till 80 % relativ luftfuktighet
Certifiering	Följer EN 12021 så länge kraven i TP-610050-1 möts.

10. Godkännande, certifiering

Trycksatta andningskällor från suppliedair Pressure-serien är testade och godkända enligt Europastandard EN 14594:2005 för bruk med suppliedair-skyddskåpor eller suppliedair-masker. Alla delar i systemet måste godkännas av tillverkaren och användas i enlighet med instruktionerna i denna manual.

Organisation som utfört CE-testning:

Výzkumný ústav bezpečnosti práce, v.v.i. – ZL
Testing Laboratory No. 1024, Jeruzalémská 1283/9, 110 00 Praha 1
Notified Body 1024

Deklaration om överensstämmelse finns på: <https://www.optrel.com/service/downloads/>



11. Lista över reservdelar

suppliedair Pressure (Flow Master)	
Ordernummer:	Beskrivning:
4090.000	suppliedair + bälte
4090.010	suppliedair + komfortbälte
4090.050	Standardslang 10 m för suppliedair
4090.052	Antistatslang 10 m för suppliedair
4090.051	Spiralslang 10 m för suppliedair , slittålig – mod.
4090.020	Ljuddämpare
4090.030	Fodrat komfortbälte
4090.040	Flödesmätare

suppliedair Conditioner	
Ordernummer:	Beskrivning:
4090.100	suppliedair Conditioner
4090.110	Filter till suppliedair Conditioner

12. Klassificering

Kombinationer av suppliedair med hjälmar och huvar	Klassificering
clearmaxx hardhat	1B
clearmaxx, e684 hardhat, crystal2.0 hardhat, panoramaxx2.5 hardhat, panoramaxx CLT hardhat, panoramaxx quattro hardhat, e640 hardhat, e650 hardhat, e670 hardhat, e680 hardhat, vegaview2.5 hardhat	2B
e684, crystal2.0, panoramaxx2.5, panoramaxx CLT, panoramaxx quattro, e640, e650, e670, e680, vegaview2.5, liteflip autopilot, liteflip passive, liteflip autopilot hardhat, liteflip passive hardhat	3B
softhood long, softhood short	3A

Importante

Leggere e ricordare le seguenti istruzioni prima dell'uso per garantire la propria sicurezza. In caso di domande, contattare il produttore o il distributore.

Conservare il manuale per una futura consultazione. L'unità ad aria compressa deve essere utilizzata solo per i fini elencati in questo manuale.

1. Introduzione

I sistemi ad aria compressa **suppliedair Pressure** sono dispositivi di protezione personale delle vie respiratorie, basati sul principio della sovrappressione dell'aria filtrata ed erogata continuamente (apparecchi respiratori ad aria compressa a flusso continuo). L'aria viene prelevata da una fonte di aria compressa (compressore o impianto di aria compressa) ed erogata al sistema suppliedair, che consente la regolazione del flusso d'aria fornito tramite tubo a una maschera protettiva o un cappuccio. La sovrappressione impedisce ai contaminanti di entrare nell'area di respirazione. Questa lieve sovrappressione allo stesso tempo garantisce il comfort del portatore, anche durante lunghi periodi d'uso, poiché il portatore non deve sforzarsi affinché la respirazione superi la resistenza del filtro.

suppliedair Pressure non è l'unico sistema dotato di un manometro per il controllo dell'attuale pressione in ingresso e di un fischietto di allarme, entrambe le unità suppliedair Pressure Flow Master e suppliedair Pressure For Mask sono dotate della stessa funzionalità che avverte l'utente se la pressione in ingresso scende al di sotto del limite di pressione operativa. L'aria fornita direttamente dal compressore o dal sistema di aria compressa deve essere pulita igienicamente e deve essere conforme alla norma EN 12021. Se l'aria non è conforme a questo requisito, installare il suppliedair Conditioner (Luftaufbereitung) tra il suppliedair e la fonte dell'aria compressa.

La qualità dell'aria all'uscita del suppliedair Conditioner è conforme alla norma EN 12021, se viene utilizzato nell'intervallo di temperatura indicato nel Capitolo 10 e l'aria dal compressore è conforme ai requisiti del Capitolo 1.1. Il suppliedair Conditioner rimuove la nebbia d'olio, gli odori e i sapori. Alla stazione di filtraggio si possono collegare due utenti.

Il suppliedair Conditioner non elimina il monossido di carbonio (CO) o il biossido di carbonio (CO₂) dall'aria!

1.1. Requisiti per l'aria compressa fornita dal compressore

- Il suppliedair Conditioner può essere collegato solo a un compressore che fornisca aria con una concentrazione di ossigeno dal 20% al 22% vol. La concentrazione del biossido di carbonio non deve superare le 500 ppm e la concentrazione del monossido di carbonio non deve superare le 15 ppm.
- La concentrazione massima di acqua nell'aria può essere di 50 mg/m³ alla pressione nominale da 1 a 20 MPa. L'umidità dell'aria fornita deve essere controllata per evitare il congelamento dell'unità.

2. Limitazioni d'uso

Prima di utilizzare il sistema, l'utente deve acquisire la massima familiarità con i possibili rischi sul luogo di lavoro ed essere pienamente informato sull'uso sicuro dei dispositivi di protezione personale. In caso di dubbi, contattare il produttore o il distributore locale. I sistemi suppliedair devono essere utilizzati esclusivamente con la testiera elencata in questo manuale. Pertanto leggere il presente manuale insieme al manuale utente dei copricapo suppliedair .

Leggere attentamente il presente manuale e seguire le sue istruzioni!

- L'utente deve aver compreso interamente le istruzioni.
- Durante un lavoro faticoso, se la respirazione dell'utente diventa troppo intensa, la pressione positiva all'interno del cappuccio può calare e causare una riduzione del fattore di protezione.
- L'uso di aria arricchita di ossigeno e di ossigeno è vietato nel sistema suppliedair per via del rischio di esplosione.
- Il sistema può essere utilizzato in ambienti con una bassa probabilità di danno al tubo di alimentazione e laddove i movimenti dell'utente non sono limitati.
- Se, in aggiunta a suppliedair, si collega all'alimentazione di aria compressa un altro accessorio (ad es. una pistola di spruzzaggio), l'utente deve accertarsi che vi sia una portata sufficiente verso il cappuccio, anche al massimo consumo di aria del suddetto accessorio.

- Se l'unità viene utilizzata in ambienti con temperature elevate, il tubo di alimentazione deve essere resistente a tali effetti.
- L'uso dell'unità in ambienti esplosivi è vietato.
- Prima di ogni uso dell'unità, verificare che la portata sia superiore al valore minimo specificato nei parametri tecnici.
- Se l'unità arresta l'alimentazione d'aria per qualsiasi motivo, l'utente deve uscire immediatamente dall'area contaminata.
- Se utilizzata in combinazione con un caschetto per saldature, con un caschetto di sicurezza o con una maschera, l'unità non è consigliabile per gli utenti con barba o capelli lunghi che si estendono nella zona respiratoria.
- Prestare attenzione ad una concentrazione di CO₂ superiore nell'alimentazione dell'aria, la quale si può verificare se il compressore non funziona correttamente quando l'olio lubrificante brucia per via delle alte temperature.
- La pressione dell'aria di alimentazione deve essere compresa tra 400 e 1000 kPa.
- La fonte dell'aria deve essere dotata di una valvola di sicurezza per garantire che la pressione d'ingresso non venga superata.
- I tubi della pressione di alimentazione possono essere collocati solo nelle aree del luogo di lavoro in cui non possono essere danneggiati.
- I tubi di mandata per suppliedair e suppliedair Conditioner, n° d'ordine 4090.050 e 4090.051, non sono antistatici e la massima temperatura cui possono resistere senza danni è di 70 °C.
- La lunghezza massima del tubo di mandata dalla distribuzione di aria compressa o suppliedair Conditioner all'unità non deve superare i 10 m; ciò è valido solo per le combinazioni di prodotti con il livello di protezione 1A - 4A. Per le combinazioni di prodotti nella classe 1B - 4B, la lunghezza del tubo di alimentazione è illimitata.
- L'intervallo di temperatura consigliato per l'uso è tra 10 e 40 °C; a temperature inferiori, l'uso del cappuccio protettivo o della maschera con alimentazione d'aria può essere sgradevole.
- Per il suppliedair è necessario fornire aria respirabile secondo la norma EN 12021.
- Il suppliedair può essere combinato con i tipi di parti di testa mostrati nelle immagini sulla copertina del manuale. Le immagini mostrano anche le classi delle rispettive combinazioni.
- Le informazioni sulle parti della testa sono riportate nelle istruzioni su come utilizzare le parti della testa CA.
- Se si utilizza un suppliedair For Mask, si deve collocare un idoneo filtro a due filetti 50 02 48 o 50 02 68 (a seconda dei contaminanti circostanti) tra l'unità e la maschera. Questo concetto consente di respirare in sicurezza durante la possibile evacuazione quando la fonte di pressione smette di funzionare.

Se uno dei principi indicati in questo manuale non viene seguito, la garanzia viene invalidata.

3. Disimballaggio / montaggio / uso e funzioni

3.1. Disimballaggio del suppliedair

Verificare che la fornitura sia completa e che non ci siano stati danni durante il trasporto.

Contenuto del suppliedair (4090.000), suppliedair (4090.010)

Unità suppliedair	1 pz.
Cinghia per l'unità	1 pz.
Tubo dell'aria	1 pz.
Indicatore flusso d'aria	1 pz.
Manuale utente	1 pz.

Contenuto del suppliedair Conditioner (4090.100)

Unità suppliedair Conditioner	1 pz.
Supporto unità	1 pz.
Viti per il collegamento dell'unità al supporto	2 pz.
Guarnizione	4 pz.
Istruzioni per l'uso	1 pz.

3.2. Montaggio del suppliedair Conditioner (4090.100)

Avvitare il contenitore (suppliedair Conditioner) sul supporto; per la procedura consultare le immagini allegate.

3.3. Montaggio - suppliedair

- Verificare che tutti i componenti siano in buone condizioni, cioè senza danni evidenti.
- Collegare il suppliedair Conditioner al sistema di distribuzione dell'aria compressa o direttamente al compressore. Se non si utilizza il suppliedair Conditioner, l'alimentazione di aria compressa viene collegata direttamente alla suppliedair.
- Collegare l'unità alla cinghia e collegare il tubo di mandata a essa.
- Utilizzando il raccordo rapido, collegare il tubo di mandata dalla fonte di aria compressa all'unità suppliedair.

4. Prima dell'uso

4.1. Verifica prima dell'uso

Verificare prima di ogni uso:

- che le singole parti, in particolare il tubo dell'aria e gli elementi di tenuta, siano privi di danni evidenti,
- che il tubo sia montato correttamente all'unità e al connettore della parte di testa,
- che la pressione dell'aria nel sistema di distribuzione sia compresa nell'intervallo da 400 a 1000 kPa sia per il suppliedair sia per la maschera o nell'intervallo da 300 a 1000 kPa in caso di unità suppliedair,
- che il flusso d'aria sia conforme a quanto indicato nel Capitolo 4.2 - la portata minima consentita è di 170 l/m,
- che l'aria sia alimentata dalla parte di testa.

4.2. Prova della portata (suppliedair)

Tutte le unità suppliedair sono pre-regolate a una portata di 170 l/m. In fase di misurazione della portata, seguire le istruzioni nel manuale allegato all'indicatore di portata. Se la portata è diversa, procedere come segue:

1. Tirare la manopola di controllo, si udirà un clic (vedere immagini allegate).
2. Per impostare la portata ottimale, ruotare la manopola di controllo in senso antiorario (vedere immagini allegate). Per verificare la portata, collegare l'indicatore di portata.
3. Premere la manopola di controllo, si udirà un clic (vedere immagini allegate).

AVVERTENZA! La portata non deve scendere sotto i 160 l/m.

5. Manutenzione e pulizia

suppliedair

Al termine di ogni lavoro si consiglia di pulire l'unità suppliedair, verificare le singole parti e sostituire quelle danneggiate.

- La pulizia deve essere svolta in una stanza ben ventilata. Evitare di inalare polveri dannose depositate su singole parti dell'unità e accessori.
- Non è consentito utilizzare agenti di pulizia contenenti solventi o abrasivi. Si consigliano i comuni detersivi.
- Il tubo dell'aria può essere lavato con acqua pulita.
- Per la pulizia utilizzare un panno umido. Dopo la pulizia ogni parte deve essere asciugata.

suppliedair Conditioner

- Una volta alla settimana, drenare la condensa dal fondo del contenitore utilizzando la valvola di scarico situata sul fondo. Prima di questa operazione, si consiglia di scollegare l'unità dall'alimentazione di aria compressa.
- Sostituire il filtro almeno una volta ogni tre mesi. Dopo questo periodo, virus e batteri potrebbero proliferare nel filtro dell'unità e se utilizzata regolarmente, la capacità di assorbimento del carbone attivo, che elimina gli odori, può esaurirsi (se l'aria che fuoriesce dal suppliedair Conditioner ha un odore particolare, sostituire il filtro immediatamente).
- Quando si sostituisce il filtro, pulire la parte interna del contenitore con un panno asciutto e un detersivo comune.

Sostituzione del filtro suppliedair Conditioner (vedere le immagini allegate)

- Svitare la parte superiore del contenitore suppliedair Conditioner (6 viti a brugola).
- Rimuovere il filtro contaminato, pulire l'interno del contenitore.
- Verificare la condizione della guarnizione di gomma nella copertura superiore. Se la guarnizione è danneggiata, sostituirla.
- Installare un nuovo filtro, montare la copertura del contenitore e riavvitarla.
- Verificare l'eventuale presenza di perdite dal contenitore. Se il contenitore non è perfettamente a tenuta, serrare tutte le viti che stringono il coperchio superiore.

6. Conservazione

Tutti i componenti dei sistemi suppliedair devono essere conservati in ambienti con temperature comprese fra -10 °C e 55 °C con umidità relativa dell'aria compresa tra il 20% e l'80%. Il tempo di conservazione nei contenitori chiusi è di massimo 2 anni.

7. Garanzia

La garanzia per i difetti di produzione è di 12 mesi dalla data di vendita al cliente. Si deve inoltrare una richiesta alla ditta venditrice inviando la prova d'acquisto (fattura o bolla di consegna).

La garanzia non copre i difetti causati da una sostituzione tardiva del filtro o dall'uso di un filtro danneggiato dalla pulizia o dal soffaggio.

8. Possibili guasti

Se si dovessero verificare guasti, ad es. una riduzione o un aumento improvvisi dell'alimentazione d'aria, è necessario abbandonare il luogo di lavoro e controllare quanto segue:

- che l'unità sia montata correttamente;
- le condizioni del filtro nel suppliedair Conditioner;
- che il tubo dell'aria non sia danneggiato;
- che il silenziatore in suppliedair non sia intasato;
- che la guarnizione a tenuta frontale del cappuccio protettivo o maschera sia in buone condizioni.

L'UNITÀ NON EROGA UNA QUANTITÀ SUFFICIENTE DI ARIA	
Probabile causa	Raccomandazione
Il tubo o condotto dell'aria è ostruito.	Verificare e rimuovere il possibile ostacolo.
Ci sono delle perdite di aria.	Verificare tutti gli elementi di tenuta e i collegamenti; verificare che il tubo dell'aria non sia danneggiato e non presenti perdite.
Il silenziatore è intasato.	Sostituire il silenziatore del suppliedair.
Il filtro nel suppliedair Conditioner è intasato.	Sostituire il filtro.

L'UNITÀ NON FUNZIONA AFFATTO	
Probabile causa	Raccomandazione
Problema di alimentazione dell'aria compressa. Danno al tubo.	Verificare la fonte dell'aria compressa.
	Verificare che i tubi di collegamento non siano danneggiati.
	Inviare l'unità ad un'assistenza autorizzata.

9. Dati tecnici

suppliedair	4090.000	4090.010
Portata minima	160 lpm	
Portata massima	250 lpm	
Peso dell'unità	280 g	
Collegamento d'ingresso	Compatibile con la serie RECTUS 25, 26 e CEJN320.	G1 1/4"
Collegamento di uscita	CA40x1/7"	
Livello di rumorosità dell'unità	max. 70 dB	
Girovita	60 – 150 cm	
Intervallo pressione di alimentazione	4 – 10 bar (4 – 10 bar (400 – 1000 kPa))	
Intervallo di temperatura in esercizio	+10 a +40 °C	
Intervallo di umidità dell'aria sul luogo di lavoro	20 % a 80 % Rh	
Certificazione	EN 14594 Classe 3A	

suppliedair Conditioner	
Portata massima	500 l/m
Peso senza filtro	6300 g
Peso con filtro	6800 g
Collegamento d'ingresso	Compatibile con la serie RECTUS 25, 26 e CEJN320.
Collegamento di uscita	Compatibile con la serie RECTUS 25, 26 e CEJN320.
Intervallo di temperatura consigliato in esercizio	da 0 a +40 °C
Intervallo raccomandato di umidità dell'aria sul luogo di lavoro	da 20% a 80% u.r.
Certificazione	Conforme con EN 12021, salvo il rispetto dei requisiti della TP-610050-1.

10. Approvazione, Certificazione

I sistemi ad aria compressa suppliedair Pressure sono collaudati e approvati in conformità con i requisiti della normativa europea EN 14594:2005 per l'uso con cappucci protettivi suppliedair o maschere protettive suppliedair. Tutte le parti del sistema utilizzate devono essere approvate dal produttore e utilizzate in conformità con le istruzioni riportate nel presente manuale utente.

Ente accreditato per le prove CE:

Výzkumný ústav bezpečnosti práce, v.v.i. – ZL
Testing Laboratory No. 1024, Jeruzalémská 1283/9, 110 00 Praha 1
Notified Body 1024

Dichiarazione di conformità è disponibile all'indirizzo:
<https://www.optrel.com/service/downloads/>



11. Elenco dei ricambi

suppliedair Pressure (Flow Master)	
N. d'ordine:	Descrizione:
4090.000	suppliedair + cinghia
4090.010	suppliedair + cinghia comfort
4090.050	Tubo standard da 10 m per suppliedair
4090.052	Tubo antistatico da 10 m per suppliedair
4090.051	Tubo a spirale da 10 m per suppliedair , resistente alle forze meccaniche - mod.
4090.020	Silenziatore
4090.030	Cinghia imbottita comfort
4090.040	Indicatore di portata

suppliedair Conditioner	
N. d'ordine:	Descrizione:
4090.100	suppliedair Conditioner
4090.110	Filtro per suppliedair Conditioner

12. Classificazione

Combinazioni di suppliedair con caschi e cappe	Classificazione
clearmaxx hardhat	1B
clearmaxx, e684 hardhat, crystal2.0 hardhat, panoramaxx2.5 hardhat,, panoramaxx CLT hardhat, panoramaxx quattro hardhat, e640 hardhat, e650 hardhat, e670 hardhat, e680 hardhat, vegaview2.5 hardhat	2B
e684, crystal2.0, panoramaxx2.5, panoramaxx CLT, panoramaxx quattro, e640, e650, e670, e680, vegaview2.5, liteflip autopilot, liteflip passive, liteflip autopilot hardhat, liteflip passive hardhat	3B
softhood long, softhood short	3A

Importante

Para garantizar su propia seguridad, lea y recuerde estas instrucciones antes del uso. Si tiene alguna pregunta, póngase en contacto con el fabricante o su distribuidor autorizado.

Guarde el manual para poder realizar las consultas necesarias en el futuro. La unidad de aire comprimido debería utilizarse únicamente para los propósitos indicados en este manual.

1. Introducción

Los sistemas de líneas de aire comprimido suppliedair Pressure son sistemas de protección respiratoria personal basados en el principio de sobrepresión de aire filtrado suministrado de forma continua en la zona de respiración (aparatos de respiración con línea de aire comprimido de flujo continuo). El aire se toma desde una fuente de aire comprimido (compresor o sistema de línea de aire) y se suministra al sistema suppliedair, permitiendo la regulación del flujo de aire suministrado a través de una manguera de aire al interior de una máscara o capucha de protección. La sobrepresión evita que la contaminación entre en la zona de respiración. Esta ligera sobrepresión garantiza asimismo a su portador una mayor comodidad, incluso durante largos períodos de uso, sin que el usuario no tenga que forzar la respiración para compensar la resistencia del filtro.

suppliedair Pressure no es el único sistema equipado con un manómetro para comprobar la entrada de presión actual y con un silbato de aviso, tanto el suppliedair Pressure Flow Master como el suppliedair Pressure For Mask poseen la misma característica, avisando al usuario si la presión de entrada desciende por debajo de la presión operativa mínima. El aire suministrado directamente desde el compresor o el sistema de línea de aire debe estar limpio y debe cumplir con la norma EN 12021. Si el aire no cumple este requisito, instale el suppliedair Conditioner (suppliedair Conditioner) entre suppliedair y la fuente de aire comprimido.

La calidad del aire en la salida del suppliedair Conditioner cumple con la norma EN 12021 si se utiliza dentro del rango de temperaturas indicadas en el Capítulo 10 y el aire del compresor cumple los requisitos del Apartado 1.1. El suppliedair Conditioner elimina la neblina de aceite, los olores y los sabores. Puede haber dos usuarios conectados a la estación de filtrado.

El suppliedair Conditioner no elimina el monóxido de carbono (CO) o el dióxido de carbono (CO₂) del aire.

1.1. Requisitos para el aire comprimido suministrado desde el compresor

- El suppliedair Conditioner solo puede conectarse a un compresor que suministre aire con una concentración de oxígeno del 20 % al 22 % con respecto a su volumen. La concentración de dióxido de carbono no debe exceder los 500 ppm y la concentración de monóxido de carbono no puede ser superior a 15 ppm.
- La concentración máxima de agua en el aire puede ser de 50 mg/m³ a una presión de 1 a 20 Mpa. La humedad del aire suministrado debe estar controlada con el fin de evitar que la unidad se congele.

2. Limitaciones de uso

Antes de utilizar el sistema, el usuario deberá conocer bien los posibles riesgos presentes en el lugar de trabajo y estar debidamente informado sobre cómo utilizar el equipo de protección personal de forma segura. Si tiene alguna duda, póngase en contacto con el fabricante o su distribuidor autorizado.

Los sistemas de suministro de aire deben usarse exclusivamente con la cabecera que se detalla en este manual. Lea, por tanto, este manual junto con el manual de usuario de las Capuchas suppliedair.

Lea atentamente este manual y siga las instrucciones.

- El usuario deberá comprobar que ha entendido perfectamente todas las instrucciones.
- Cuando se realiza un trabajo extenuante y la respiración del usuario es demasiado intensa, la presión positiva en el interior de la máscara podría descender y provocar una disminución del factor de protección.
- El uso de aire enriquecido con oxígeno y de oxígeno está prohibido en el sistema suppliedair debido al riesgo de explosión.
- El sistema puede utilizarse únicamente en entornos donde la posibilidad de que se produzcan daños en la manguera de suministro sea escasa y donde el movimiento del usuario no esté restringido.
- Si, además de suppliedair, se conecta otro accesorio (por ejemplo una pistola de spray) al suministro de aire comprimido, el usuario deberá asegurarse de que llega un flujo de aire suficiente a la capucha, incluso cuando dicho accesorio haga el máximo consumo de aire.

- Si utiliza la unidad a altas temperaturas, la manguera de suministro deberá ser resistente a estas condiciones.
- Se prohíbe el uso de la unidad en entornos explosivos.
- Antes de utilizar el equipo, compruebe siempre que el flujo de aire sea superior al valor mínimo especificado en los parámetros técnicos.
- Si el equipo deja de proporcionar aire por alguna razón, el usuario deberá abandonar el área contaminada de forma inmediata.
- No se recomienda que personas con barba o cabello largo que llegue hasta la zona de respiración utilicen el equipo cuando se utiliza con un casco de soldador, un casco de seguridad o una máscara.
- Tenga cuidado en caso de que se produzca una excesiva concentración de CO₂ en el suministro de aire, una circunstancia que podría darse si el compresor no trabaja correctamente cuando el aceite lubricante a veces arde debido a las altas temperaturas.
- La presión del aire de suministro debe estar en un rango entre los 400 y los 1000 kPa.
- La fuente de aire debe estar provista de una válvula de seguridad para garantizar que no se exceda la presión de la toma de entrada.
- Las mangueras de presión del suministro solo pueden estar situadas en aquellas zonas del área de trabajo en las que no puedan resultar dañadas.
- Las mangueras de presión para suppliedair y suppliedair Conditioner, nº de pedido 4090.050 y 4090.051, no son antiestáticas y la temperatura máxima que garantiza su resistencia sin sufrir daños es de 70 °C.
- La longitud máxima de la manguera de presión desde la instalación de aire comprimido o del suppliedair Conditioner a la unidad no debe superar los 10 m; esto solo se aplica a las combinaciones de productos con un nivel de protección de 1A–4A. Para las combinaciones de productos en la clase 1B–4B, la longitud de la manguera de suministro es ilimitada.
- El rango de temperaturas recomendado de uso es de 10–40 °C; el uso de la capucha protectora o la máscara con suministro de aire temperaturas más bajas puede resultar desagradable.
- Para el suppliedair es necesario proporcionar aire respirable según la norma EN 12021.
- El suppliedair puede combinarse con los accesorios para la cabeza que aparecen ilustrados en el anexo de imágenes en la tapa del manual. También muestra las clases para cada una de las combinaciones.
- Las instrucciones sobre la utilización de elementos de cabeza suppliedair incluyen información adicional sobre dichos elementos.
- Cuando utilice el suppliedair For Mask, deberá colocar un filtro de doble rosca adecuado 50 02 48 o 50 02 68 (en función de los contaminantes de alrededor) entre el equipo y la máscara. Este diseño le permitirá respirar de forma segura durante una posible evacuación cuando la fuente de presión deje de funcionar.

En caso de no cumplir con alguno de los principios indicados en este manual, la garantía perderá su validez.

3. Desembalaje / Montaje / Uso y funciones

3.1. Desembalar el suppliedair

Compruebe que la entrega esté completa y que no se han producido daños durante el transporte.

Contenido del suppliedair (4090.000), suppliedair (4090.010):

Unidad suppliedair	1 ud.
Cinta para el equipo	1 ud.
Manguera de aire	1 ud.
Indicador de flujo de aire	1 ud.
Manual de usuario	1 ud.

Contenido del suppliedair Conditioner (4090.100):

Unidad suppliedair Conditioner	1 ud.
Soporte del equipo	1 ud.
Tornillos para conectar el equipo al soporte	2 uds.
Junta	4 uds.
Instrucciones de uso	1 ud.

3.2. Montar el suppliedair Conditioner (4090.100)

Atornille el contenedor (suppliedair Conditioner) al soporte; vea el anexo con las ilustraciones para obtener más detalles sobre el procedimiento.

3.3. Montaje – suppliedair

- Compruebe que todos los componentes se encuentran en buenas condiciones, es decir que no presentan daños evidentes.
- Conecte el suppliedair Conditioner al sistema de distribución de aire comprimido o directamente al compresor. Si no se utiliza el suppliedair Conditioner, el suministro de aire comprimido se conecta directamente al suppliedair.
- Coloque el equipo en su cinturón y conecte la manguera de presión al mismo.
- Utilice el acoplamiento rápido, conecte la manguera de presión de la fuente de aire comprimido al equipo suppliedair.

4. Antes de proceder a su uso

4.1. Comprobar antes del uso

Antes de cada uso, compruebe que:

- las diferentes partes, en particular la manguera de aire y los elementos de sellado no presentan daños evidentes,
- la manguera está correctamente conectada al equipo y al conector de la parte de la cabeza,
- la presión del aire en el sistema de distribución se encuentra en un rango de 400 a 1000 kPa tanto para el suppliedair,
- el flujo de aire corresponde a lo indicado en el Apartado 4.2 – el índice de flujo mínimo permisible es de 160 lpm,
- el aire viene suministrado desde el accesorio para la cabeza.

4.2. Prueba de flujo de aire (suppliedair)

Todos los equipos suppliedair vienen configurados de fábrica para un flujo de aire de 160 lpm. Cuando mida el flujo de aire, siga las instrucciones indicadas en el manual que acompaña el indicador de flujo. Si el índice de flujo es diferente, proceda del siguiente modo:

1. Estire del botón, oirá un clic (ver anexo de ilustraciones).
2. Para establecer el flujo de aire óptimo, gire el botón de control en sentido contrario a las agujas del reloj (ver anexo de ilustraciones). Para comprobar el flujo de aire, puede conectar el indicador de flujo.
3. Pulse el botón de control, oirá un clic (ver anexo de ilustraciones).

AVISO El flujo de aire no debe descender por debajo de los 160 lpm

5. Mantenimiento y limpieza

suppliedair

Siempre, cuando termine su trabajo, se recomienda limpiar el equipo suppliedair y verificar los diferentes elementos, así como remplazar aquellos que estén dañados.

- La limpieza debe realizarse en una sala bien ventilada. Evite inhalar el polvo nocivo que se haya podido depositar en las diferentes partes de la unidad y los accesorios.
- Queda prohibido el uso de productos de limpieza que contengan disolventes o abrasivos. Se recomienda el uso de detergentes comunes.
- La manguera de aire puede enjuagarse con agua limpia.
- Utilice un paño húmedo para la limpieza. Cada parte deberá secarse después de la limpieza.

suppliedair Conditioner

- Una vez a la semana, extraiga la condensación del fondo del contenedor utilizando la válvula de drenaje situada en la parte inferior. Antes de llevar a cabo esta operación, se recomienda desconectar el equipo de la toma de aire comprimido.
- Remplace el filtro al menos una vez cada tres meses. Después de este período es posible que proliferen los virus y las bacterias en el filtro del equipo y, si se utiliza regularmente, la capacidad de absorción del carbón activado que elimina los olores puede desaparecer (si el aire que sale del suppliedair Conditioner emite algún tipo de olor, remplace el filtro inmediatamente).
- Cuando remplace el filtro, limpie la parte interior del contenedor utilizando un paño seco y un detergente común.

Sustitución del filtro suppliedair Conditioner (ver anexo con ilustraciones)

- Desatornille la parte superior del contenedor suppliedair Conditioner (6 tornillos Allen).
- Retire el filtro contaminado, limpie el interior del contenedor.
- Compruebe el estado del sello de la goma de la tapa superior. Si el sello estuviera deteriorado, sustitúyalo.
- Instale un filtro nuevo, vuelva a poner la tapa del contenedor y los tornillos.
- Compruebe que el contenedor no tiene fugas. Si el contenedor no está completamente cerrado, apriete todos los tornillos que fijan la tapa superior.

6. Almacenamiento

Todos los componentes de los sistemas suppliedair deben almacenarse en lugares con temperaturas entre los 0 °C y los 40 °C, con una humedad relativa del aire de entre el 20 % y el 80 %. El período de almacenamiento en contenedores cerrados es de como máximo 2 años.

7. Garantía

La garantía por defectos de fabricación es de 12 meses desde la fecha de venta al cliente. Todas las reclamaciones deberán efectuarse ante la entidad vendedora y aportando el comprobante de venta (la factura o el albarán de entrega).

La garantía no cubre en particular los defectos causados por una sustitución tardía del filtro o por la utilización de un filtro dañado por la limpieza o el soplado.

8. Posibles errores

Si ocurriera algún error, por ejemplo un descenso o aumento súbito del suministro de aire, el usuario deberá salir del lugar de trabajo y comprobar:

- Que el equipo está montado correctamente.
- El estado del filtro en el suppliedair Conditioner.
- Que la manguera de aire no está dañada.
- Que el silenciador de ruido en el suppliedair no está obstruido.
- Que el sello facial de la capucha de protección o de la máscara se encuentran en buenas condiciones.

EL EQUIPO NO PROPORCIONA UNA CANTIDAD DE AIRE SUFICIENTE	
Causa probable	Recomendación
La manguera de aire o el conducto de aire están bloqueados.	Compruebe y retire los posibles obstáculos.
El aire se escapa por alguna fuga.	Compruebe todos los elementos de sellado y las conexiones; compruebe que la manguera de aire no está dañada y que no hay fugas.
El silenciador de ruido está obstruido.	Reemplace el silenciador de ruido en el suppliedair.
El filtro del suppliedair Conditioner está obstruido.	Cambie el filtro por uno nuevo.

LA UNIDAD NO FUNCIONA EN ABSOLUTO	
Causa probable	Recomendación
Fallo en el suministro de aire comprimido. Daños en la manguera.	Compruebe la fuente de aire comprimido.
	Compruebe que las mangueras de conexión no están dañadas.
	Envíe el equipo a revisar a un servicio técnico autorizado.

9. Datos técnicos

suppliedair	4090.000	4090.010
Flujo de aire mínimo	160 lpm	
Flujo de aire máximo	250 lpm	
Peso del equipo	280 g	
Conexión de la toma de entrada	Compatible con la serie RECTUS 25, 26 y CEJN320	G1 1/4"
Conexión de la toma de salida	CA40x1/7"	
Nivel de ruido del equipo	max. 70 dB	
Talla de cintura	60 – 150 cm	
Rango de presión de suministro	4 – 10 bar (4 – 10 bar (400 – 1000 kPa))	
Rango de temperaturas durante el funcionamiento	+10 a +40 °C	
Rango de humedad del aire en el lugar de trabajo	20 % al 80 % Rh	
Certificados	EN 14594 Clase 3A	

suppliedair Conditioner	
Flujo de aire máximo	500 lpm
Peso sin filtro	6300 g
Peso con filtro	6800 g
Conexión de la toma de entrada	Compatible con la serie RECTUS 25, 26 y CEJN320
Conexión de la toma de salida	Compatible con la serie RECTUS 25, 26 y CEJN320
Rango de temperaturas recomendado durante el trabajo	de +0 a +40 °C
Rango recomendado de humedad del aire en el lugar de trabajo	del 20 % al 80 % de HR
Certificados	Conforme a la norma EN 12021 ya que cumple los requisitos de TP-610050-1.

10. Aprobación, certificados

Los sistemas de líneas de aire comprimido suppliedair Pressure han sido sometidos a ensayos y cuentan con la aprobación de conformidad con los requisitos establecidos por la norma europea EN 14594:2005 para su uso tanto con las capuchas de protección suppliedair como con las máscaras de protección suppliedair. Todas las partes del sistema utilizadas deben estar aprobadas por el fabricante y deben utilizarse de conformidad con las instrucciones indicadas en este manual de usuario.

Autoridad notificada para los ensayos CE: Výzkumný ústav bezpečnosti práce, v.v.i.
(Instituto de investigación de seguridad laboral) – ZL
Laboratorio de ensayo n° 1024, Jeruzalémská 1283/9, 110 00 Praha 1
Notified Body 1024

La Declaración de conformidad está disponible en:
<https://www.optrel.com/service/downloads/>



11. Lista de recambios

suppliedair Pressure (Flow Master)	
Pedido n°:	Descripción:
4090.000	suppliedair + cinturón
4090.010	suppliedair + cinturón de confort
4090.050	Manguera estándar de 10 m para suppliedair
4090.052	Manguera antiestática de 10 m para suppliedair
4090.051	Manguera espiral de 10 m para suppliedair , mecánicamente resistente – modelo
4090.020	Silenciador de ruido
4090.030	Cinturón acolchado de confort
4090.040	Indicador de flujo de aire

suppliedair Conditioner	
Pedido n°:	Descripción:
4090.100	suppliedair Conditioner
4090.110	Filtro para suppliedair Conditioner

12. Clasificación

Combinaciones de suppliedair con cascos y capuchas	Clasificación
clearmaxx hardhat	1B
clearmaxx, e684 hardhat, crystal2.0 hardhat, panoramaxx2.5 hardhat,, panoramaxx CLT hardhat, panoramaxx quattro hardhat, e640 hardhat, e650 hardhat, e670 hardhat, e680 hardhat, vegaview2.5 hardhat	2B
e684, crystal2.0, panoramaxx2.5, panoramaxx CLT, panoramaxx quattro, e640, e650, e670, e680, vegaview2.5, liteflip autopilot, liteflip passive, liteflip autopilot hardhat, liteflip passive hardhat	3B
softhood long, softhood short	3A

Belangrijk

Lees voor gebruik de volgende instructies goed door en onthoud deze voor uw eigen veiligheid. Neem in geval van vragen contact op met de fabrikant of uw distributeur.

Bewaar de handleiding voor toekomstige raadpleging. De persluchteenheid mag alleen worden gebruikt voor de doelen in deze handleiding.

1. Inleiding

Persluchtleidingssystemen suppleldair Pressure zijn persoonlijke ademhalingsbeschermingsmiddelen op basis van het principe van een overdruk van een continue, gefilterde luchtvoorziening in de ademzone (ademhalingsapparatuur met continue luchttoevoer). De lucht is afkomstig van een persluchtbron (compressor of luchtleidingssysteem) en wordt afgeleverd aan het suppleldair systeem, waardoor regeling van de luchtstroom door een luchtleiding in een beschermingsmasker of -kap mogelijk wordt. De overdruk voorkomt dat verontreinigende stoffen de ademzone binnendringen. Tegelijkertijd verzorgt deze lichte overdruk het comfort van de drager, zelfs tijdens langere gebruikperiodes. De drager hoeft namelijk geen moeite te doen om adem te halen in verband met de weerstand van het filter.

suppleldair Pressure is niet het enige systeem dat van een waarschuwingsfluitje en een drukmeter is voorzien om de juiste invoerdruk te controleren, want zowel de suppleldair Pressure Flow Master-eenheid als de suppleldair Pressure For Mask-eenheid zijn voorzien van beide functies zodat de gebruiker gewaarschuwd wordt als de invoerdruk onder de onderlimiet van de gebruiksdruk zakt. De lucht die direct vanuit de compressor of het luchtleidingssysteem afkomstig is, moet hygiënisch schoon zijn en moet voldoen aan de EN 12021 standaard. Als de lucht niet aan deze eis voldoet, installeert u de suppleldair Conditioner (Luftaufbereitung) tussen de suppleldair en de persluchtbron in!

De luchtkwaliteit aan de uitlaat van de suppleldair Conditioner voldoet aan EN 12021 als deze binnen de temperaturen wordt gebruikt zoals aangegeven in Hoofdstuk 10 en de lucht van de compressor voldoet aan de eisen zoals aangegeven in Hoofdstuk 1.1. De suppleldair Conditioner verwijdert oliedampen, geurtjes en smaken. Er kunnen twee gebruikers worden aangesloten op het filterstation.

De suppleldair Conditioner verwijdert geen koolstofmonoxide (CO) of koolstofdioxide (CO₂) uit de lucht!!!

1.1. Eisen aan perslucht die vanuit de compressor wordt geleverd

- De suppleldair Conditioner kan alleen worden aangesloten op een compressor die lucht aanlevert met een zuurstofconcentratie van 20 tot 22% vol. De concentratie koolstofdioxide mag niet hoger zijn dan 500 ppm en de concentratie koolstofmonoxide mag niet hoger zijn dan 15 ppm.
- De maximale waterconcentratie in de lucht mag 50 mg/m³ bij de nominale druk van 1 tot 20 MPa. De vochtigheid van de aangeleverde lucht moet worden beperkt om te voorkomen dat de eenheid bevriest.

2. Gebruiksbeperkingen

Voordat het systeem wordt gebruikt, moet de gebruiker geheel vertrouwd zijn met de mogelijke risico's op de werkplek en volledig zijn ingelicht over het gebruik van persoonlijke beschermingsmiddelen. Neem in geval van twijfel contact op met de fabrikant of uw distributeur. Suppleldair-systemen mogen uitsluitend worden gebruikt met het hoofdeinde dat in deze handleiding wordt vermeld. Lees daarom deze handleiding en de gebruikershandleiding van suppleldair beschermende kappen.

Lees deze handleiding zorgvuldig door en volg de instructies!!!

- De gebruiker dient de instructies volledig te begrijpen.
- Als de ademhaling van de gebruiker tijdens inspannend werk te hevig wordt, kan de positieve druk in de kap zakken hetgeen de beschermende factor kan doen verminderen.
- Het is vanwege explosiegevaar verboden om zuurstofverrijkte lucht of zuurstof te gebruiken in het suppleldair-systeem.
- Het systeem mag alleen worden gebruikt in omgevingen met een kleine kans op schade aan de luchtslang en alleen als de gebruiker vrij kan bewegen.
- Als naast de suppleldair nog een ander accessoire (bijv. een spuitpistool) op de persluchtvoorziening is aangesloten, moet de gebruiker ervoor zorgen dat voldoende luchtstroom naar de kap aanwezig is, zelfs als dit accessoire de maximale hoeveelheid lucht verbruikt.
- Als de eenheid wordt gebruikt in omgevingen met hoge temperaturen, moet de luchtslang tegen dergelijke

omstandigheden bestand zijn.

- Het is verboden om de eenheid in explosiegevaarlijke omgevingen te gebruiken.
- Voor elk gebruik van de eenheid controleert u of de luchtstroom hoger is dan de minimale waarde, zoals gespecificeerd in de technische parameters.
- Als de eenheid om welke reden dan ook geen lucht meer aanlevert, dient de gebruiker de verontreinigde zone direct te verlaten.
- Als de eenheid is gecombineerd met een lashelm, veiligheidshelm of masker, dan wordt de eenheid niet aanbevolen voor gebruikers met een baard of lang haar dat langer is dan de ademhalingszone.
- Let op een hogere CO₂-concentratie in de luchttoevoer. Dit kan namelijk voorkomen als de compressor niet goed werkt doordat de smeerolie verbrandt bij hogere temperaturen.
- De druk van de luchttoevoer moet tussen de 4 – 10 bar (4 – 10 bar (400 – 1000 kPa)) blijven.
- De luchtbron moet zijn voorzien van een veiligheidsklep om te garanderen dat de inlaatdruk niet wordt overschreden.
- De luchtdrukslangen van de aanvoer mogen alleen in zones van de werkplek worden gebruikt waar deze niet beschadigd kunnen raken.
- Drukslangen voor de suppliedair (Flow Master / voor masker) en suppliedair Conditioner, bestelnr. 4090.050 en 4090.051 zijn niet anti-statisch en de maximale temperatuur waar deze tegen bestand zijn zonder te beschadigen is 70 °C.
- De maximale lengte van de drukslang van de persluchtverspreiding of suppliedair Conditioner naar de eenheid mag niet meer zijn dan 10m; dit is alleen van toepassing op combinaties van producten met beschermingsniveau 1A–4A. Voor combinaties van producten in klasse 1B – 4B is de lengte van de drukslang onbeperkt.
- De aanbevolen gebruikstemperatuur is 10 – 40 °C; het gebruik van de beschermingskap of een -masker met een luchtvoorziening kan bij een lagere temperatuur onprettig zijn.
- Voor de suppliedair (Flow Master / voor masker) is het noodzakelijk om ademlucht te verzorgen overeenkomstig EN 12021.
- De suppliedair (Flow master / voor masker) kan worden gecombineerd met de types hoofdonderdelen die te zien zijn op de afbeelding op de omslag van de handleiding. Hier staan ook de klassen van de respectievelijke combinaties op.
- Informatie over hoofdonderdelen is te vinden in de instructies voor het gebruik van suppliedair hoofdonderdelen.
- Als u een suppliedair For Mask gebruikt, dan moet u een geschikt filter met dubbele draad 50 02 48 of 50 02 68 tussen de eenheid en het masker plaatsen (afhankelijk van de omringende vervuiling). Hierdoor kunt u veilig ademen tijdens een mogelijke evacuatie waarbij de drukbron stopt met werken.

De garantie wordt ongeldig als enige principe in deze handleiding niet wordt opgevolgd!

3. Uitpakken / Montage / Gebruik en functies

3.1. De suppliedair uitpakken

Controleer of alles compleet is en of er tijdens het vervoer geen schade is veroorzaakt.

Inhoud van de suppliedair (4090.000), suppliedair (4090.010):

suppliedair eenheid	1 st
Riem voor de eenheid	1 st
Luchtslang	1 st
Luchtstroomindicator	1 st
Gebruikershandleiding	1 st

Inhoud van de suppliedair Conditioner (4090.100):

suppliedair Conditioner eenheid	1 st
Standaard eenheid	1 st
Schroeven om de eenheid op de standaard te plaatsen	2 st
Pakking	4 st
Gebruiksaanwijzing	1 st

3.2. De suppliedair Conditioner (4090.100) monteren

Schroef de bak (suppliedair Conditioner) op de standaard; zie de afbeelding voor deze handeling.

3.3. Montage – suppliedair (Flow Master / voor masker)

- Controleer of alle onderdelen in goede staat zijn, d.w.z. zonder aanwijsbare schade.
- Sluit de suppliedair Conditioner aan op het persluchtverspreidingsstelsel of direct op een compressor. Als de suppliedair Conditioner niet wordt gebruikt, dient de persluchtvoorziening direct op de suppliedair (Flow Master / voor masker) te worden aangesloten.
- Verbind de eenheid met uw riem en sluit er de drukslang op aan.
- Gebruik de snelkoppeling en sluit de drukslang van de persluchtbron aan op de suppliedair-eenheid.

4. Voor gebruik

4.1. Controleren voor gebruik

Controleer voor elk gebruik:

- of individuele onderdelen, en dan met name de luchtslang en de afdichtingen, niet beschadigd zijn,
- of de slang goed op de eenheid is aangesloten en op de hoofdconnector,
- of de luchtdruk in het luchtverspreidingsstelsel tussen de 400 en 1000 kPa ligt voor zowel de suppliedair,
- of de luchtstroom is zoals beschreven in Hoofdstuk 4.2 – waarbij de laagst mogelijke stroomverhouding 160 lpm is en
- dat er lucht uit het hoofdonderdeel komt.

4.2. Luchtstroomtest (suppliedair)

Alle suppliedair eenheden zijn vooraf afgesteld op een luchtstroom van 160 lpm. Volg voor het meten van de luchtstroom de instructies in de handleiding die bij de stroomindicator is bijgesloten. Ga als volgt te werk als het debiet anders is:

1. Trek aan de regelknop. U hoort een klik (zie afbeeldingsbijlage).
2. Draai de regelknop tegen de klok in om de optimale luchtstroom in te stellen (zie afbeeldingsbijlage). U kunt de stroomindicator aansluiten om de luchtstroom te controleren.
3. Duw op de regelknop. U hoort een klik (zie afbeeldingsbijlage).

WAARSCHUWING! De luchtstroom mag niet lager zijn dan 160 lpm!

5. Onderhoud en schoonmaken

suppliedair

Aanbevolen wordt om na uw werkzaamheden de suppliedair-eenheid altijd schoon te maken, te controleren of individuele onderdelen niet beschadigd zijn en deze eventueel te vervangen.

- Het schoonmaken dient plaats te vinden in een goed geventileerde ruimte. Let erop dat u de schadelijke stof die zich heeft gezet op individuele onderdelen van de eenheid en de accessoires niet inademt!
- Het is verboden om schoonmaakmiddelen met oplosmiddelen of schurende stoffen te gebruiken. Een algemeen schoonmaakmiddel wordt aanbevolen.
- De luchtslang kan worden gespoeld met schoon water.
- Gebruik een vochtige doek voor het schoonmaken. Elk onderdeel moet na het schoonmaken droog worden geveegd.

suppliedair Conditioner

- Voer eens week het condensaat uit de bak af via de afvoerlep op de zijkant, onderaan. Voor deze handeling wordt aanbevolen om de eenheid eerst los te koppelen van de persluchtvoorziening.
- Vervang het filter minimaal elke drie maanden. Na deze periode kan de hoeveelheid virussen en bacteriën in het filter van de eenheid snel toenemen en bij regelmatig gebruik kan de absorptiecapaciteit van de actieve koolstof die geurtjes wegneemt uitgeput raken (vervang het filter onmiddellijk als de lucht die de suppliedair Conditioner verlaat vreemd ruikt).
- Tijdens het vervangen van het filter maakt u de binnenkant van de bak schoon met een droge doek en regulier schoonmaakmiddel.

Vervanging van het suppliedair Conditioner filter (zie afbeeldingsbijlage)

- Schroef het bovenste deel van de suppliedair Conditioner bak los (6 inbusschroeven).
- Verwijder het vervuilde filter en veeg de binnenkant van de bak schoon.
- Controleer de staat van de rubberen afdichting van de bovenkap. Vervang de afdichting als deze is beschadigd.
- Plaats een nieuw filter, plaats de kap van de bak terug en schroef hem terug.
- Controleer de bak op lekken. Als de bak niet geheel afsluit, draai dan alle schroeven dicht waarmee u de bovenkap bevestigt.

6. Opslag

Alle onderdelen van suppliedair-systemen moeten worden opgeslagen in ruimtes met temperaturen tussen de -10 °C en 55 °C met een relatieve vochtigheid tussen de 20 en 80%. De opslagtijd in een afgesloten bak is max. 2 jaar.

7. Garantie

De garantie op fabricagedefecten is 12 maanden vanaf de aankoopdatum van de klant. Er moet een vordering worden ingevuld bij de verkooporganisatie en een aankoopbewijs (factuur of aflevernota) moet worden verzonden. De garantie dekt geen defecten die specifiek zijn veroorzaakt door een te late vervanging van het filter of door een filter te gebruiken dat is beschadigd door schoonmaken of blazen.

8. Mogelijke fouten

Indien er zich fouten voordoen, bijv. een plotselinge afname of stijging van de luchttoevoer, dan moet de gebruiker direct de werkplek verlaten en vervolgens het volgende controleren:

- Of de eenheid goed is gemonteerd.
- De staat van het filter in de suppliedair Conditioner.
- Of de luchtslang niet is beschadigd.
- Of de geluidsdemper in de suppliedair niet verstopt is.
- Dat de afdichting van de beschermende kap of masker in goede staat is.

DE EENHEID GEEFT ONVOLDOENDE LUCHT	
Mogelijke oorzaak	Aanbeveling
Luchtslang of leiding verstopt.	Controleer op verstoppingen en verwijder deze.
Er ontsnapt lucht door een lek.	Controleer alle afdichtingen en verbindingen; controleer of de luchtslang niet is beschadigd en geen lekken bevat.
De geluidsdemper is verstopt.	Vervang de geluidsdemper in de suppliedair.
Het filter in de suppliedair Conditioner is verstopt.	Vervang het filter.

DE EENHEID WERKT IN ZIJN GEHEEL NIET	
Mogelijke oorzaak	Aanbeveling
Persluchttoevoer defect. Beschadigde slang.	Controleer de persluchtbron.
	Controleer of de aangesloten slangen niet beschadigd zijn.
	Stuur de eenheid op naar een geautoriseerd servicepunt.

9. Technische gegevens

supplieair	4090.000	4090.010
Minimale luchtstroom	160 lpm	
Maximale luchtstroom	250 lpm	
Gewicht van de eenheid	280 g	
Inlaatverbinding	Compatibel met RECTUS serie 25, 26 en CEJN320	G1 1/4"
Uitlaatverbinding	CA40x1/7"	
Geluidsniveau eenheid	max. 70 dB	
Omvang taille	60 – 150 cm	
Bereik druktoevoer	4 – 10 bar (4 – 10 bar (400 – 1000 kPa))	
Temperatuur op de werkplek	+10 tot +40 °C	
Luchtvochtigheid op de werkplek	20 % tot 80 % Rh	
Certificering	EN 14594 klasse 3A	

supplieair Conditioner	
Maximale luchtstroom	500 lpm
Gewicht zonder filter	6300 g
Gewicht met filter	6800 g
Inlaatverbinding	Compatibel met RECTUS serie 25, 26 en CEJN320.
Uitlaatverbinding	Compatibel met RECTUS serie 25, 26 en CEJN320.
Aanbevolen temperatuur op de werkplek	0 tot +40 °C
Aanbevolen luchtvochtigheid op de werkplek	20% tot 80% Rv
Certificering	Voldoet aan EN 12021, mits men aan de eisen van TP-610050-1 voldoet.

10. Goedkeuring, Certificering

Persluchtledingsystemen supplieair Pressure worden getest en goedgekeurd overeenkomstig de eisen van de Europese Standaard EN 14594: 2005 voor gebruik met supplieair beschermende kappen of supplieair beschermende maskers. Alle onderdelen van het gebruikte systeem moeten door de fabrikant worden goedgekeurd en worden gebruikt overeenkomstig de instructies die in deze gebruikershandleiding worden aangegeven.

Inlichtingeninstantie voor CE-tests:

Výzkumný ústav bezpečnosti práce, v.v.i. – ZL
Testing Laboratory No. 1024, Jeruzalémská 1283/9, 110 00 Praha 1
Notified Body 1024

De conformiteitsverklaring is beschikbaar op:
<https://www.optrel.com/service/downloads>



11. Lijst met reserveonderdelen

suppliedair Pressure (Flow Master)	
Bestelnr.:	Beschrijving:
4090.000	suppliedair + riem
4090.010	suppliedair + comfortabele riem
4090.050	Standaardslang van 10 m voor suppliedair
4090.052	Anti-statische slang van 10 m voor suppliedair
4090.051	Spiraalvormige slang van 10 m voor suppliedair , mechanisch bestendig – mod.
4090.020	Geluidsdemper
4090.030	Comfortabele, gewatteerde riem
4090.040	Luchtstroomindicator

suppliedair Conditioner	
Bestelnr.:	Beschrijving:
4090.100	suppliedair Conditioner
4090.110	Filter voor suppliedair Conditioner

12. Classificatie

Combinaties van suppliedair met helmen en kappen	Classificatie
clearmaxx hardhat	1B
clearmaxx, e684 hardhat, crystal2.0 hardhat, panoramaxx2.5 hardhat,, panoramaxx CLT hardhat, panoramaxx quattro hardhat, e640 hardhat, e650 hardhat, e670 hardhat, e680 hardhat, vegaview2.5 hardhat	2B
e684, crystal2.0, panoramaxx2.5, panoramaxx CLT, panoramaxx quattro, e640, e650, e670, e680, vegaview2.5, liteflip autopilot, liteflip passive, liteflip autopilot hardhat, liteflip passive hardhat	3B
softhood long, softhood short	3A

Tärkeää

Oman turvallisuutesi varmistamiseksi lue ja pidä mielessä seuraavat ohjeet ennen käyttöä. Jos sinulla on kysyttävää, ota yhteys valmistajaan tai jälleenmyyjääsi. Säilytä opas myöhempiä tarvetta varten. Paineilmayksikköä tulee käyttää ainoastaan tässä oppaassa lueteltuihin tarkoituksiin.

1. Johdanto

suppliedair Pressure -paineilmajärjestelmät ovat henkilökohtaisia hengityssuojaimia, jotka tuottavat jatkuvaa ylipaineista ja suodatettua ilmaa hengitystilaan (jatkuvan ilmavirtauksen paineilmakäyttöiset hengityslaitteet). Ilma otetaan paineilmalähteestä (kompressori tai ilmalinja) ja syötetään suppliedair järjestelmään, jolla voidaan säätää ilmaletkun kautta suojamaskiin tai päähineeseen syötetyn ilman virtausta. Ylipaine estää epäpuhtauksien pääsyn hengitystilaan. Samalla tämä lievä ylipaine takaa käyttömukavuuden myös pitkänä käyttöjaksoina, koska käyttäjän ei tarvitse ponnistella hengityksessä suodattimen vastuksen voittamiseksi.

suppliedair Pressure -yksikön lisäksi molemmat yksiköt suppliedair Pressure Flow Master ja suppliedair Pressure For Mask on varustettu syöttöpaineen tarkistusta varten painemittarilla ja varoituspillillä, joka varoittaa käyttäjää, jos syöttöpaine laskee käyttöpaineen alarajan alle. Suoraan kompressorista tai ilmalinjasta syötetyn ilman pitää olla hygienisesti puhdasta ja sen on täytettävä standardin EN 12021 vaatimukset. Jos ilma ei täytä näitä vaatimuksia, asenna suppliedair Conditioner (Luftaufbereitung) -yksikkö suppliedair yksikön ja paineilmalähteen välille!

Ilma suppliedair Conditioner -yksikön ulostulossa täyttää standardin EN 12021 vaatimukset, kun sitä käytetään luvussa 10 ilmoitetuissa lämpötilarajoissa ja kun kompressorista tuleva ilma täyttää luvun 1.1 vaatimukset. suppliedair Conditioner poistaa öljysumun, hajut ja maut. Suodatusasemaan voidaan liittää kaksi käyttäjää.

suppliedair Conditioner ei poista ilmasta hiilimonoksidia (CO) tai hiilidioksidia (CO₂)!

1.1. Kompressorista syötettävän paineilman vaatimukset

- suppliedair Conditioner voidaan kytkeä ainoastaan kompressoriin, joka syöttää ilmaa happipitoisuudella 20–22 % tilavuudesta. Hiilidioksidipitoisuus ei saa ylittää arvoa 500 ppm eikä hiilimonoksidipitoisuus arvoa 15 ppm.
- Ilmassa olevan veden enimmäispitoisuus on 50 mg/m³ nimellispaineella 1–20 Mpa. Syötetyn ilman kosteutta on säädettävä yksikön jäätyminen estämiseksi.

2. Käytön rajoitukset

Ennen järjestelmän käyttämistä käyttäjän on tunnettava täysin työpaikalla olevat riskit ja tiedettävä täysin, kuinka henkilönsuojaimia käytetään turvallisesti. Jos asiasta ei olla varmoja, ota yhteys valmistajaan tai jälleenmyyjääsi. Suppliedair-järjestelmiä on käytettävä yksinomaan tässä käyttöoppaassa luetellun päätytuen kanssa. Lue siksi tämä käyttöopas ja suppliedair-päähineiden käyttäjän.

Lue tämä opas huolellisesti ja noudata sen ohjeita!

- Käyttäjän on ymmärrettävä ohjeet täysin.
- Jos käyttäjän hengitys raskaan työn aikana kiihtyy voimakkaasti, kuvun sisäinen positiivinen paine voi laskea, mikä voi heikentää suojaustasoa.
- suppliedair-järjestelmässä ei saa räjähdyksivaaran vuoksi käyttää happirikasta ilmaa ja happea.
- Järjestelmää saa käyttää ainoastaan ympäristöissä, joissa on vähäinen syöttöletkun vahingoittumisvaara ja jossa käyttäjän liikkumista ei ole rajoitettu.
- Jos suppliedair-laitteen lisäksi paineilman syöttöön on liitetty jokin toinen varuste (kuten paineilmapistooli), käyttäjän on varmistettava, että kupuun virtaa riittävästi ilmaa myös kyseisen varusteen suurimmalla ilmankulutuksella.
- Jos yksikköä käytetään ympäristössä, jossa lämpötila on korkea, syöttöletkun pitää kestää sen vaikutukset.
- Yksikön käyttö räjähdyksalttiissa ympäristössä on kielletty.
- Tarkista ennen yksikön käyttämistä, että ilmavirtaus on teknisissä arvoissa osoitettua vähimmäisarvoa korkeampi.
- Jos yksikkö lakkaa jostakin syystä toimimasta, käyttäjän on poistuttava välittömästi altistusalueelta.
- Kun yksikkö on yhdistetty hitsauskypärään, turvakypärään tai maskiin, sen käyttö ei ole suositeltavaa käyttäjil-

le, joilla on parta tai pitkät, hengitystilaan ulottuvat hiukset.

- Ota huomioon, että syötetyn ilman CO₂-pitoisuus voi nousta, jos kompressori ei toimi oikein voiteluöljyn palaessa toisinaan korkean lämpötilan vuoksi.
- Syöttöilman paineen on oltava välillä 400–1 000 kPa.
- Ilmalähde on varustettava varoventtiilillä, joka takaa, ettei syöttöpaine ylitä.
- Painesyöttöletkut saa sijoittaa ainoastaan työpaikan alueille, joilla ne eivät voi vahingoittaa.
- Paineletkut yksiköille suppliedair ja suppliedair Conditioner, tilausnumerot 4090.050 ja 4090.051, eivät ole antistaattisia, ja ne kestävät vahingoittumatta enintään 70 °C lämpötilan.
- Paineilman jakelusta tai suppliedair Conditioner -yksiköstä tulevan paineilemälakun sallittu enimmäispituus on 10 metriä. Tämä koskee ainoastaan tuoteyhdistelmiä, joiden suojaustaso on 1A–4A. Luokan 1B–4B tuoteyhdistelmien syöttöletkun pituutta ei ole rajoitettu.
- Suositeltu käyttölämpötila-alue on 10–40 °C. Tätä alhaisimmissa lämpötiloissa ilmansyötöllä varustetun suoja-päähineen tai maskin käyttö saattaa olla epämiellyttävää.
- Yksikössä suppliedair on käytettävä standardin EN 12021 mukaista hengitettävää ilmaa.
- suppliedair -yksikköön voidaan yhdistää oppaan kannen liitekuvassa esiteltyjä pääkappaleita. Kuvassa osoite-taan myös vastaavien yhdistelmien luokat.
- Pääkappaleiden tiedot löytyvät CA-pääkappaleiden käyttöohjeista.
- suppliedair For Mask -yksikköä käytettäessä yksikön ja maskin välille on asetettava sopiva kaksoiskierresuo-datin 50 02 48 tai 50 02 68 (ympäristösaasteista riippuen). Se mahdollistaa turvallisen hengittämisen mahdol-lisen evakuoinnin aikana, jos paineilmalähde lakkaa toimimasta.

Tässä oppaassa ilmoitettujen periaatteiden laiminlyönti aiheuttaa takuun raukeamisen!

3. Purkaminen pakkauksesta / Kokoonpano / Käyttö ja toiminnot

3.1. suppliedair -yksikön purkaminen pakkauksesta

Tarkista, että kaikki osat on toimitettu eikä kuljetuksen aikana ole syntynyt vaurioita.

Sisältö – suppliedair (4090.000), suppliedair (4090.010):

suppliedair -yksikkö	1 kpl
Yksikön vyö	1 kpl
Ilmaletku	1 kpl
Virtausmittari	1 kpl
Käyttöopas	1 kpl

Sisältö – suppliedair Conditioner (4090.100):

suppliedair Conditioner -yksikkö	1 kpl
Teline	1 kpl
Yksikön kiinnitysruuvit telineeseen	2 kpl
Aluslevy	4 kpl
Käyttöopas	1 kpl

3.2. Kokoonpano – suppliedair Conditioner (4090.100)

Kierrä säiliö (suppliedair Conditioner) alas telineeseen. Katso menetelmä liitekuvasta.

3.3. Kokoonpano – suppliedair

- Tarkista, että kaikki osat ovat hyvässä kunnossa, ts. niissä ei ole näkyviä vaurioita.
- Liitä suppliedair Conditioner paineilman syöttöjärjestelmään tai suoraan kompressoriin. Jos suppliedair Conditioner -yksikköä ei käytetä, paineilman syöttö liitetään suoraan suppliedair -yksikköön.
- Kiinnitä yksikkö vyöhön ja liitä paineilmaletku.
- Kytke paineiletu pikaliittimellä paineilmalähteestä suppliedair-yksikköön.

4. Ennen käyttöä

4.1. Tarkista ennen käyttöä

Tarkista ennen jokaista käyttökertaa:

- ettei yksittäisissä osissa, erityisesti ilmaletkussa ja tiivistyselementeissä, ole näkyviä vaurioita
- että letku on kiinnitetty oikein yksikköön ja pääkappaleen liittimeen
- että jakelujärjestelmän ilmanpaine on välillä 400–1 000 kPa sekä suppliedair
- -ilmanvirtaus on kohdan 4.2 mukainen – alhaisin sallittu virtaus on 160 lpm
- että ilmaa syötetään pääkappaleesta.

4.2. Ilmanvirtauksen testaaminen (suppliedair)

Kaikki suppliedair -yksiköt on säädetty 160 lpm:n virtaukselle. Mittaa ilmanvirtaus virtausmittarin mukana tulevien käyttöohjeiden mukaisesti. Jos ilmanvirtaus poikkeaa tästä, toimi seuraavasti:

1. Paina nupista, jolloin kuulet naksahduksen (katso liitekuva).
2. Sääda optimaalinen ilmanvirtaus kiertämällä nuppia vastapäivään (katso liitekuva). Tarkista ilmanvirtaus liittämällä virtausmittari.
3. Paina nuppia, jolloin kuulet naksahduksen (katso liitekuva).

VAROITUS! Ilmanvirtaus ei saa laskea alle 160 lpm!

5. Hoito ja puhdistus

suppliedair

Aina työn päätyttyä on suositeltavaa puhdistaa suppliedair-yksikkö, tarkastaa yksittäiset osat ja vaihtaa vahingoittuneet osat.

- Puhdistus on suoritettava hyvin tuuletetussa huoneessa. Vältä hengittämästä haitallista pölyä, jota on kertynyt laitteen yksittäisiin osiin ja lisävarusteisiin!
- Liuotinaineita tai hankaavia aineita sisältävien puhdistusaineiden käyttö on kielletty. Käytä mielellään yleisiä puhdistusaineita.
- Ilmaletku voidaan huuhdella puhtaalla vedellä.
- Puhdista kostealla liinalla. Puhdistuksen jälkeen kaikki osat on kuivattava pyyhkimällä.

suppliedair Conditioner

- Kerran viikossa tyhjennä kondensaattisäiliön pohjasta alapuolella olevan tyhjennysventtiilin kautta. Ennen tätä irrota yksikkö paineilmansyötöstä.
- Vaihda suodatin vähintään kerran kolmen kuukauden välein. Tämä ajan jälkeen virukset ja bakteerit voivat lisääntyä yksikön suodattimessa, ja säännöllisesti käytettynä hajua poistavan aktiivihiilen imukyky voi loppua (jos suppliedair Conditioner -yksiköstä ulostulevassa ilmassa tuntuu minkäänlaista hajua, vaihda suodatin välittömästi).
- Suodatinta vaihdettaessa puhdista säiliön sisäosa kuivalla liinalla ja yleisellä puhdistusaineella.

suppliedair Conditioner -suodattimen vaihtaminen (katso liitekuva)

- Kierrä auki suppliedair Conditioner -säiliön yläosa (6 sisäruuvia).
- Poista liikainen suodatin ja pyyhi säiliön sisäpuoli.
- Tarkista yläkannessa olevan kumitiivisteen kunto. Jos tiiviste on vahingoittunut, vaihda se.
- Asenna uusi suodatin, kiinnitä säiliön kansi ja kierrä ruuvit kiinni.
- Tarkista säiliö vuotojen varalta. Jos säiliö ei ole täysin tiukka, kiristä kaikki ruuvit siten, että yläkansi kiinnittyy.

6. Säilytys

Kaikki suppliedair-järjestelmän osat on säilytettävä huonetilassa, jonka lämpötila on -10 – 55 °C ja ilman suhteellinen kosteus 20–80 %. Säilytysaika suljetussa säiliössä on enintään 2 vuotta..

7. Takuu

Valmistusvikojen takuu on 12 kuukautta myyntipäivästä asiakkaalle. Myyntiorganisaation on täytettävä takuuvaa-de ja mukana on lähetettävä ostotodiste (lasku tai toimituskuitti).

Takuu ei kata erityisiä vikoja, jotka johtuvat suodattimen myöhäisestä vaihtamisesta tai puhdistuksessa tai puhaltamalla vahingoittuneen suodattimen käytöstä.

8. Mahdollisia vikoja

Vian ilmetessä, kuten jos ilmansyöttö äkillisesti laskee tai nousee, käyttäjän on ensin poistuttava työpaikalta ja siententarkistettava seuraavat seikat:

- Yksikkö on koottu oikein.
- Suodattimen kunto suppliedair Conditioner -yksikössä.
- Ilmaletku ei ole vaurioitunut.
- Äänenvaimennin yksiköissä suppliedair ei ole tukossa.
- Suojapäähineen tai maskin kasvotiiviste on hyvässä kunnossa..

LAITE EI SYÖTÄ RIITTÄVÄSTI ILMAA	
Mahdollinen syy	Suositus
Ilmaletku tai ilmanakana on tukossa.	Tarkista ja poista mahdollinen tukos.
Ilmaa vuotaa.	Tarkista kaikki tiivistys-elementit ja liitännät. Tarkista, ettei letku ole vaurioitunut eikä vuoda.
Äänenvaimennin on tukossa.	Vaihda suppliedair -yksikön äänenvaimennin.
suppliedair Conditioner -yksikön suodatin on tukossa.	Vaihda suodatin.

YKSIKKÖ EI TOIMI LAINKAAN	
Mahdollinen syy	Suositus
Vika paineilman syötössä. Vahingoittunut letku.	Tarkista paineilmalähde.
	Tarkista, etteivät liitäntäletkut ole vahingoittuneet.
	Lähetä yksikkö valtuutettuun huoltoon.

9. Tekniset tiedot

suppliedair	4090.000	4090.010
Vähimmäisilmavirta	160 lpm	
Enimmäisilmavirta	250 lpm	
Yksikön paino	280 g	
Sisääntuloliitäntä	Yhteensopiva RECTUS-sarjan 25, 26 ja CEJN320 kanssa	G1 1/4"
Ulostuloliitäntä	CA40x17"	
Yksikön melutaso	max. 70 dB	
Vyötärön koko	60 – 150 cm	
Syöttöpainealue	4 – 10 bar (4 – 10 bar (400 – 1000 kPa))	
Työalueen lämpötila	+10 tot +40 °C	
Työalueen suhteellinen kosteus	20 % – 80 % suht. kost.	
Sertifiointi	EN 14594 Luokka 3A	

suppliedair Conditioner	
Enimmäisilmavirta	500 lpm
Paino ilman suodatinta	6 300 g
Paino suodattimen kanssa	6 800 g
Sisääntuloliitäntä	Yhteensopiva RECTUS-sarjan 25, 26 ja CEJN320 kanssa.
Ulostuloliitäntä	Yhteensopiva RECTUS-sarjan 25, 26 ja CEJN320 kanssa.
Suosittelun työalueen lämpötila	0...+40 °C
Suosittelun työalueen ilman suhteellinen kosteus	20 % – 80 % suht. kost.
Sertifiointi	Täyttää standardin EN 12021 vaatimukset TP-610050-1.

10. Hyväksyntä, sertifiointi

suppliedair Pressure -paineilmajärjestelmät on testattu ja hyväksytty Euroopan standardin EN 14594:2005 vaatimusten mukaisesti käytettäväksi joko suppliedair-suojapäähineen tai suppliedair-suojamaskin kanssa. Kaikki käytetyn järjestelmän osat on hyväksyttävä valmistajalla ja niitä on käytettävä tämän käyttöoppaan ohjeiden mukaisesti.

CE-testin ilmoitettu taho: Výzkumný ústav bezpečnosti práce, v.v.i. – ZL
Testing Laboratory No. 1024, Jeruzalémská 1283/9, 110 00 Praha 1
Notified Body 1024

Vaatimustenmukaisuusvakuutus on saatavilla osoitteessa:
<https://www.optrel.com/service/downloads/>



11. Varaosaluettelo

suppliedair Pressure (Flow Master)	
Tilausnumero:	Kuvaus:
4090.000	suppliedair + vyö
4090.010	suppliedair + mukavuusvyö
4090.050	Vakioletku 10 m suppliedair :lle
4090.052	Antistaattinen letku 10 m suppliedair :lle
4090.051	Kierreletku 10 m suppliedair :lle, mekaanisen rasituksen kestävä – malli
4090.020	Äänenvaimennin
4090.030	Pehmustettu mukavuusvyö
4090.040	Virtausmittari

suppliedair Conditioner	
Tilausnumero:	Kuvaus:
4090.100	suppliedair Conditioner
4090.110	Suodatin suppliedair Conditioner

12. Luokittelu

Yhdistelmät suppliedair-kypäristä ja huput	Luokittelu
clearmaxx hardhat	1B
clearmaxx, e684 hardhat, crystal2.0 hardhat, panoramaxx2.5 hardhat,, panoramaxx CLT hardhat, panoramaxx quattro hardhat, e640 hardhat, e650 hardhat, e670 hardhat, e680 hardhat, vegaview2.5 hardhat	2B
e684, crystal2.0, panoramaxx2.5, panoramaxx CLT, panoramaxx quattro, e640, e650, e670, e680, vegaview2.5, liteflip autopilot, liteflip passive, liteflip autopilot hardhat, liteflip passive hardhat	3B
softhood long, softhood short	3A

Vigtigt

Læs og husk denne vejledning før brug, af hensyn til din egen sikkerhed. Har du spørgsmål, bedes du kontakte fabrikanten eller forhandleren. Behold manualen til senere opslagsbrug. Trykluffenheden bør kun anvendes til de formål, der er nævnt i denne vejledning.

1. Indledning

Tryklufforsyningssystemer suppliedair Pressure er åndedrætsværn baseret på princippet om konstant tilført filteret luft under overtryk til indåndingsområdet (tryklufforsynde åndedrætsværn med kontinuert flow). Luften kommer fra en luftforsyning med komprimeret luft (kompressor eller trykluft) og leveres til suppliedair -systemet, som sørger for regulering af luftstrømmen, der via en luftslange føres ind i beskyttelsesmasken eller hættten. Overtrykket forhindrer forurenende stoffer i at komme ind i indåndingsområdet. Det milde overtryk sørger for, at masken er behagelig at have på, selv efter lang tids brug, da bæreren ikke skal hive efter vejret for at kompensere for filterets modstand.

suppliedair Pressure er ikke det eneste system, der er forsynet med en trykmåler til kontrol af indgangstrykket og en advarselsfløjte. Både suppliedair Pressure Flow Master og suppliedair Pressure For Mask er udstyret med samme funktion, som advarer brugeren, hvis indgangstrykket når under det mindst tilladte arbejdstryk. Luften, der kommer direkte fra kompressor eller trykluftssystem, skal være hygiejnisk ren og skal overholde EN 12021-standarden. Overholder luften ikke dette krav, skal suppliedair Conditioner (Luftaufbereitung) installeres mellem suppliedair og trykluffskilden!

Kvaliteten af luften ved udløbet af suppliedair Conditioner overholder kravene i EN 12021, hvis den anvendes inden for de temperaturområder, der nævnes i Kapitel 10, og luften fra kompressoren overholder kravene i Kapitel 1.1. suppliedair Conditioner fjerner olietåge, lugte og smage. Der kan være to brugere tilsluttet filterenheden.

suppliedair Conditioner fjerner ikke kullite (CO) eller kultveiltte (CO₂) fra luften!!!

1.1. Krav til den komprimerede luft fra kompressoren

- suppliedair Conditioner må kun tilsluttes en kompressor, som leverer luft med en iltkoncentration på 20–22 % vol. Koncentration af CO₂ må ikke overstige 500 ppm, og koncentrationen af kullite må ikke overstige 15 ppm.
- Det højest tilladte vandindhold i luften er 50 mg/m³ ved et tryk på 1 til 20 MPa. Det er nødvendigt at kontrollere luftfugtigheden af den tilførte luft for at undgå, at enheden fryser til.

2. Begrænsninger ved brug

Før systemet tages i brug skal brugeren grundigt indføres i mulige risici ved arbejdet og fuldt ud informeres om forsvarlig anvendelse af det personlige værnemiddel. Ved tvivl kontakt da venligst fabrikanten eller forhandleren. Suppliedair systems must be used exclusively with the headboard listed in this manual. Læs derfor denne manual sammen med brugervejledningen til suppliedair Headtops.

Læs denne manual omhyggeligt og følg vejledningen!

- Brugeren skal fuldt ud forstå vejledningen.
- Under hårdt arbejde, hvis brugerens åndedræt bliver for anstrengt, kan det positive tryk i hættten falde og resultere i en dårligere beskyttelsesgrad.
- Brug af iltberiget luft og ilt er forbudt ved brug af suppliedair enheden pga. eksplosionsfare.
- Systemet må kun anvendes i miljøer, hvor der er ringe risiko for skader på forsyningsslangen, og hvor brugerens bevægelser ikke er begrænsede.
- Hvis der udover suppliedair også anvendes andet tilbehør (f.eks. en sprøjtepestol), som er tilsluttet den komprimerede luftforsyning, skal brugeren sørge for, at luftstrømmen til hættten er tilstrækkeligt, selv når det nævnte tilbehør kører ved maksimalt luftforbrug.
- Hvis enheden anvendes i omgivelser med høje temperaturer, skal forsyningsslangen være temperaturrestant.
- Det er forbudt at anvende enheden i omgivelser, hvor der er fare for eksplosioner.

- Enheden skal hver gang inden ibrugtagning tjekkes for at luftstrømmen er højere end den mindsteværdi, der er opgivet i de tekniske specifikationer.
- Hvis enheden af en eller anden grund ophører med at levere luft, skal brugeren omgående forlade det forurenede område.
- Når enheden benyttes sammen med en svejsehjelm, en sikkerhedshjelm eller en maske, anbefales den ikke til brugere med skæg eller langt hår, som når ind i masken.
- Vær opmærksom på højere koncentrationer af CO₂ i luftforsyningen, som kan skyldes, at kompressoren ikke virker ordentligt, hvis smøreolien indimellem brænder pga. høje temperaturer.
- Luftforsyningstrykket skal ligge mellem 400 og 1.000 kPa.
- Luftkilden skal være forsynet med en sikkerhedsventil for at sikre, at indgangstrykket ikke overstiges.
- Forsyningsslangerne må kun placeres inden for arbejdsområdet, hvor de ikke kan blive beskadiget.
- Forsyningsslanger til suppliedair og suppliedair Conditioner, ordre nr. 4090.050 og 4090.051 er ikke antistatiske, og de kan højst modstå en temperatur på 70° C uden at blive beskadiget.
- Den maksimale længde af forsyningsslangen fra kompressoren eller suppliedair Conditioner til enheden må ikke overstige 10 m. Dette er kun gældende for kombinationer af produkter med beskyttelsesniveau 1A – 4A. For kombinationer af produkter i klassen 1B – 4B, er der ingen grænser for, hvor lang forsyningsslangen må være.
- Det anbefalede temperaturinterval er 10–40° C. Ved lavere temperaturer kan det være ubehageligt at benytte beskyttelseshætten eller masken med luftforsyning.
- Til suppliedair er det nødvendigt at tilføre luft egnet til indånding i henhold til EN 12021.
- suppliedair kan kombineres med de typer hovedpåklædning, som vises i billedoversigten på omslaget af vejledningen. Af denne fremgår sikkerhedsklasserne for de forskellige kombinationer.
- Information om hovedbeklædning er givet i vejledningen om brug af suppliedair hovedbeklædning.
- Hvis der benyttes en suppliedair For Mask, skal der isættes et passende tolagsfilter 50 02 48 eller 50 02 68 (afhængigt af de forurenende stoffer i omgivelserne) mellem enheden og masken. Dette vil tillade, at man kan ånde sikkert under en eventuel evakuering, hvor luftkilden er ophørt med at virke.

Følges anvisningerne i denne manual ikke, dækker garantien ikke!

3. Udpakning / Samling / Brug og funktioner

3.1. Udpakning af suppliedair

Tjek at leverancen er fuldstændig, og at der ikke er sket nogen beskadigelse under transporten.

Indhold af suppliedair (4090.000), suppliedair (4090.010):

suppliedair enhed	1 stk.
Bælte til enheden	1 stk.
Luftslange	1 stk.
Luftstrømsmåler	1 stk.
Brugervejledning	1 stk.

Indhold af suppliedair Conditioner (4090.100):

suppliedair Conditioner enhed	1 stk.
Stander	1 stk.
Skruer til at fastgøre enheden til standeren	2 stk.
Pakning	4 stk.
Brugervejledning	1 stk.

3.2. Samling af suppliedair Conditioner (4090.100)

Skru beholderen (suppliedair Conditioner) fast på standen. For vejledning hertil, se billedoversigten.

3.3. Samling – suppliedair

- Tjek at alle dele er i god stand, dvs. uden synlige skader.
- Forbind suppliedair Conditioner til luftforsyningsystemet eller direkte til en kompressor. Hvis suppliedair Conditioner ikke anvendes, forbindes trykluftskilden direkte til suppliedair.
- Sæt enheden fast i bæltet og forbind forsyningsslangen til den.
- Forbind forsyningsslangen fra trykluftskilden til suppliedair enheden ved brug af koblingsstikket.

4. Før anvendelse

4.1. Tjek før brug

Tjek før hver ibrugtagning:

- at de enkelte dele er uden synlige skader, især forsyningsslangen og forseglingsdelene,
- at forsyningsslangen er korrekt fastgjort til enheden og til forbindelsen til hovedbeklædningen,
- at lufttrykket i forsyningsdelen ligger mellem 400 og 1.000 kPa både for suppliedair,
- luftstrømmen er i overensstemmelse med Kapitel 4.2. – den lavest tilladte luftstrømningshastighed er 160 lpm,
- at luften tilføres fra hoveddelen.

4.2. Test af luftstrøm (suppliedair)

Alle suppliedair enheder er forudindstillet til en luftstrøm på 160 lpm. Når luftstrømmen måles, skal anvisningerne i manualen, der følger med flowmåleren, følges. Er gennemstrømningshastigheden anderledes, gøres følgende:

1. Træk i betjeningsknappen, indtil du hører et klik (se billedoversigten).
2. For at indstille den optimale luftstrøm, drejer man på betjeningsknappen modsat uret (se billedoversigten). Man kan forbinde flowmåleren for at tjekke luftstrømmen.
3. Tryk på betjeningsknappen, indtil du hører et klik (se billedoversigten).

ADVARSEL! Luftstrømmen må ikke komme under 160 lpm!

5. Vedligeholdelse og rengøring

suppliedair

Det anbefales at rengøre suppliedair enheden hver gang efter brug samt at tjekke de forskellige dele og udskifte dem, der er beskadiget.

- Rengøringen skal udføres i et godt ventileret rum. Undgå at indånde skadeligt støv, som har sat sig fast på de forskellige dele på enheden og tilbehøret!
- Det er forbudt at benytte rengøringsmidler indeholdende opløsningsmidler eller slibemidler. Almindelige rengøringsmidler anbefales.
- Luftslangen kan renses med rent vand.
- Brug en fugtig klud til rengøringen. Hver del skal tørres af efter rengøring.

suppliedair Conditioner

- Tøm kondensvandet fra beholderens bund en gang om ugen ved at bruge aftappingsventilen i bunden. Før dette gøres, anbefales det at frakoble enheden fra tryklufforsyningen.
- Udskift filteret mindst én gang hver tredje måned. Efter denne periode kan vira og bakterier sprede sig i enhedens filter, og hvis det bruges regelmæssigt, kan det aktive kuls evne til at absorbere og eliminere lugte blive forringet (hvis luften, der kommer ud af suppliedair Conditioner lugter det mindste, skal filteret omgående udskiftes).
- Når filteret udskiftes, rengøres den indre del af beholderen med en tør klud og almindeligt rengøringsmiddel.

Udskiftning af suppliedair Conditioner filteret (se billedoversigten)

- Skru overdelen af suppliedair Conditioner beholderen (6 unbrako-skruer).
- Fjern det beskyttede filter og tør indersiden af beholderen af.
- Tjek om gummiforseglingen i topdækslet er i orden. Hvis forseglingen er beskadiget, skal den udskiftes.
- Isæt et nyt filter, sæt dækslet på igen og skru det fast.
- Tjek beholderen for lækager. Hvis beholderen ikke er fuldstændig tæt, fastspændes alle skruer, som holder topdækslet på plads.

6. Opbevaring

Alle dele på suppliedair systemer skal opbevares i rum med temperaturer på mellem 0 og 40° C og en relativ luftfugtighed på mellem 20 og 80 %. Opbevaring i lukkede beholdere er maksimalt 2 år.

7. Garanti

Garanti på fabrikationsfejl gælder 12 måneder fra salgsdatoen til kunden. Der skal indgives en anmeldelse via salgsorganisationen, og et salgsbevis (en faktura eller et leveringsdokument) skal medsendes.

Garanti gælder ikke særlige skader, som er opstået pga. forsinket udskiftning af filteret eller pga. brug af et filter, der er blevet beskadiget ved rengøring eller gennemblæsning.

8. Mulige fejl

Hvis der opstår fejl, som f.eks. pludseligt fald eller stigning i lufttilførslen, er det nødvendigt for brugeren først at forlade arbejdspladsen og derpå kontrollere følgende:

- Enheden er korrekt samlet.
- Filterets tilstand i suppliedair Conditioner.
- Luftslangen ikke er beskadiget.
- At støjdæmperen i suppliedair ikke er tilstoppet.
- At forseglingen om ansigtet på en beskyttelseshætte eller maske er i god stand.

ENHEDEN TILFØRER IKKE EN TILSTRÆKKELIG MÆNGDE LUFT	
Mulige årsager	Anbefaling
Luftslange eller lufttilførsel blokeret.	Tjek og fjern mulige forhindringer.
Der kommer luft ud af lækager.	Tjek alle forseglinger og forbindelser, og tjek luftslangen ikke er beskadiget og ikke har nogen lækager.
At støjdæmperen ikke er tilstoppet.	Udskift lyddæmperen i suppliedair.
Filteret i suppliedair Conditioner er tilstoppet.	Udskift filteret.

ENHEDEN VIRKER SLET IKKE	
Mulige årsager	Anbefaling
Problemer med tryklufforsyningen. Skader på slangen.	Tjek trykluffkilden.
	Tjek at forbindelsesslangerne ikke er beskadigede.
	Indsend enheden til et autoriseret serviceeftersyn.

9. Tekniske data

suppliedair	4090.000	4090.010
Minimum luftstrøm	160 lpm	
Maksimalt luftstrøm	250 lpm	
Enhedens vægt	280 g	
Indgangsforbindelse	Kompatibel med RECTUS serien 25, 26 a CEJN320	G1 1/4"
Udløbsforbindelse	CA40x1/7"	
Enhedens støjniveau	max. 70 dB	
Livvidde	60 – 150 cm	
Forsyningstryk område	4 – 10 bar (4 – 10 bar (400 – 1000 kPa))	
Arbejdstemperatur	+10 tot +40 °C	
Luffugtighed på arbejdspladsen	20 til 80 % rh	
Certificering	EN 14594 Class 3A	

suppliedair Conditioner	
Maksimalt luftstrøm	500 lpm
Vægt uden filter	6.300 g
Vægt med filter	6.800 g
Indgangsforbindelse	Kompatibel med RECTUS serien 25, 26 a CEJN320.
Udløbsforbindelse	Kompatibel med RECTUS serien 25, 26 a CEJN320.
Anbefalet arbejdstemperatur	0 til +40° C
Anbefalet luffugtighed på arbejdspladsen	20 til 80 % rh
Certificering	Overholder kravene i EN 12021, såfremt kravene i TP-610050-1 er overholdt.

10. Godkendelse, certificering

Det tryklufforsynede åndedrætsværn suppliedair Pressure er testet og godkendt i overensstemmelse med kravene i den europæiske standard EN 14594:2005 til brug enten med suppliedair beskyttelseshætter eller suppliedair beskyttelsesmasker. Alle dele af det benyttede system skal godkendes af fabrikanten og anvendes i overensstemmelse med de anvisninger, der fremgår af nærværende brugervejledning.

Bemyndiget organ for CE-test:

Výzkumný ústav bezpečnosti práce, v.v.i. – ZL
Testing Laboratory No. 1024, Jeruzalémská 1283/9, 110 00 Praha 1
Notified Body 1024

Erklæring om overensstemmelse er tilgængelig på:
<https://www.optrel.com/service/downloads/>



11. Reservedelsliste

suppliedair Pressure (Flow Master)	
Ordrenr.:	Beskrivelse:
4090.000	suppliedair + bælte
4090.010	suppliedair + komfortabel bælte
4090.050	Standard luftslange 10 m med suppliedair tilslutning
4090.052	Antistatisk luftslange 10 m med suppliedair tilslutning
4090.051	Spiralslange 10 m med suppliedair tilslutning, moderat modstandsdygtig over for mekaniske påvirkninger.
4090.020	Støjdæmper
4090.030	Komfortabelt, foret bælte
4090.040	Luftstrømsmåler

suppliedair Conditioner	
Ordrenr.:	Beskrivelse:
4090.100	suppliedair Conditioner
4090.110	Filter til suppliedair Conditioner

12. Klassificering

Kombinationer af suppliedair med hjelme og emhætter	Klassificering
clearmaxx hardhat	1B
clearmaxx, e684 hardhat, crystal2.0 hardhat, panoramaxx2.5 hardhat,, panoramaxx CLT hardhat, panoramaxx quattro hardhat, e640 hardhat, e650 hardhat, e670 hardhat, e680 hardhat, vegaview2.5 hardhat	2B
e684, crystal2.0, panoramaxx2.5, panoramaxx CLT, panoramaxx quattro, e640, e650, e670, e680, vegaview2.5, liteflip autopilot, liteflip passive, liteflip autopilot hardhat, liteflip passive hardhat	3B
softhood long, softhood short	3A

Viktig

For egen sikkerhet, les og husk følgende instruksjoner før bruk. Kontakt produsenten eller din distributør ved eventuelle spørsmål.

Ta vare på manualen for fremtidig bruk. Trykkluftenheten bør kun brukes for formålene oppført i denne manualen.

1. Introduksjon

Trykkluftledningssystemet suppliedair Pressure er systemer for personlig åndedrettsvern basert på overtrykksprinsippet med kontinuerlig filtrert luft i pustesonen (pusteapparat med kontinuerlig strømmende trykkluft). Luften hentes fra en trykkluftkilde (kompressor eller luftledningssystem) og levert til suppliedair/suppliedair/suppliedair For Mask system, som regulerer luftstrømmen avgitt gjennom en luftslange til en vernemaske eller -hette. Overtrykket forhindrer kontaminanter fra å komme inn i pustesonen. Dette milde overtrykket sørger samtidig for brukerens komfort, selv under lang tids bruk, da brukeren ikke må anstrenge seg i pustingene for å overvinne motstanden i filteret.

suppliedair Pressure er ikke det eneste systemet utstyrt med en trykkmåler og en varslingsfløyte, både suppliedair Pressure Flow Master og suppliedair Pressure For Mask leveres med samme funksjon, som advarer brukeren hvis inntakstrykket faller under den nedre grensen for driftstrykk. Luften levert direkte fra kompressoren eller luftledningssystemet må være hygienisk ren og overholde standarden EN 12021. Hvis luften ikke overholder dette kravet, må suppliedair Conditioner (Luftaufbereitung) monteres mellom suppliedair/suppliedair/suppliedair For Mask og trykkluftkilden!

Luftkvaliteten ved uttaket for suppliedair Conditioner samsvarer med EN 12021 hvis den brukes innenfor temperaturområdet oppgitt i kapittel 10 og luften fra kompressoren samsvarer med kravene i kapittel 1.1. suppliedair Conditioner fjerner oljetåke, lukter og aromaer. Det kan være to brukere koblet til filterstasjonen.

suppliedair Conditioner fjerner ikke karbonmonoksid (CO) eller karbondioksid (CO₂) fra luften!!!

1.1. Krav for trykkluft levert fra kompressoren

- suppliedair Conditioner kan kun kobles til kompressor som leverer luft med en oksygenkonsentrasjon på 20 % til 22 % vol. Karbondioksidkonsentrasjonen må ikke overstige 500 ppm, og karbonmonoksidkonsentrasjonen må ikke overskride 15 ppm.
- Maksimumskonsentrasjonen av vann i luften kan være 50 mg/m³ ved nominelt trykk på 1 til 20 MPa. Fuktigheten i den leverte luften må være kontrollert for å forhindre at enheten fryser.

2. Bruksbegrensninger

Før systemet brukes, må brukeren gjøre seg kjent med mulige risikoer på arbeidsplassen, og være fullt informert om sikker bruk av personlig beskyttelsesutstyr. Kontakt produsenten eller din distributør hvis det er noen tvil. Suppliedair-systemer må utelukkende brukes sammen med hodegavlen som er oppført i denne håndboken. Les derfor denne manualen sammen med brukermanualen for suppliedair.

Les denne manualen nøye, og følg instruksjonene i den!!!

- Brukeren må forstå instruksjonene.
- Hvis brukerens åndedrett blir for intenst under anstrengende arbeide, kan det positive trykket i hetten falle, og føre til en reduksjon i beskyttelsesfaktoren.
- Bruk av oksygen-beriket luft og oksygen er forbudt i suppliedair-systemet, pga. risikoen for eksplosjon.
- Systemet kan også brukes i miljøer med en liten sannsynlighet for skade på forsyningsslangen, og hvor brukereens bevegelser ikke er begrenset.
- Hvis, i tillegg til suppliedair, annet tilbehør (f.eks. en sprøytepipette) er koblet til trykkluftforsyningen, må brukeren sørge for at det er tilstrekkelig luftstrøm til hetten selv ved tilbehørets maksimale luftforbruk.
- Hvis enheten brukes i miljøer med høye temperaturer, må forsyningsslangen være bestandig mot slike effekter.
- Det er forbudt å bruke enheten i eksplosive miljøer.
- Før hver bruk av enheten må det kontrolleres at luftstrømmen er høyere enn minimumsverdien spesifisert i de tekniske parametrene.
- Hvis enheten stopper luftforsyningen, uansett grunn, så må brukeren øyeblikkelig forlate det forurensede området.
- Når kombinert med en sveishjelm, sikkerhetshjelm eller med en maske, anbefales ikke enheten for brukere

- med skjegg eller langt hår som går til pustesonen.
- Vær oppmerksom på en høyere CO₂-konsentrasjon i luftforsyningen, som kan inntreffe hvis kompressoren ikke fungerer korrekt når smøreoljen noen ganger brenner grunnet høye temperaturer.
- Forsyningslufttrykket må være i området mellom 400–1000 kPa.
- Luftkilden må være utstyrt med en sikkerhetsventil for å garantere at inntakstrykket ikke overskrides.
- Forsyningstrykkslangene må kun plasseres på slike områder på arbeidsstedet hvor de ikke kan skades.
- Trykkslanger for supplidair (Flow Master/For maske) og supplidair Conditioner, bestillingsnr. 4090.050 og 4090.051, er ikke antistatiske, og maksimaltemperaturen før de tar skade er 70 °C.
- Maksimal lengde på trykkslange fra trykkluftdistribusjonen eller supplidair Conditioner til enheten må ikke overskride 10 m. Dette gjelder kun for kombinasjoner av produkter med beskyttelsesnivå 1A – 4A. For kombinasjoner av produkter i klassen 1B – 4B er lengden på forsyningsslangen ubegrenset.
- Anbefalt temperaturområde for bruk er 10–40 °C. Ved lavere temperaturer kan bruk av vernehette eller maske med luftforsyning være ubehagelig.
- For supplidair (Flow Master/for maske) er det nødvendig å levere pusteluft i henhold til EN 12021.
- supplidair (Flow Master/for maske) kan kombineres med hodedeltypene vist i bildevedlegget på manualens omslag. Det viser også klassene for de respektive kombinasjonene.
- Informasjon om hodedelene kan finnes i instruksjonene om å bruke supplidair hodedeler.
- Hvis du bruker en supplidair For Mask, må du ha et passende dobbelt-gjenget filter 50 02 48 eller 50 02 68 (avhengig av omgivelses-kontaminanter) mellom enheten og masken. Dette konseptet vil la deg puste trygt under mulig evakuering når trykkilden ikke fungerer.

Hvis noe prinsipp i denne manualen ikke følges, blir garantien erklært ugyldig!

3. Utpakking/Montering/Bruk og funksjoner

3.1. Utpakking av supplidair

Kontroller at leveringen er fullstendig, og at ingen skade har inntruffet under transport.

Innhold i supplidair (4090.000), supplidair (4090.010):

supplidair enhet	1 stk.
Belte for enheten	1 stk.
Luftslange	1 stk.
Luftstrømindikator	1 stk.
Brukermanual	1 stk.

Innhold i supplidair Conditioner (4090.100):

supplidair Conditioner-enhet	1 stk.
Enhetsstativ	1 stk.
Skruer for å feste enheten til stativet	2 stk.
Pakning	4 stk.
Brukerinstruksjoner	1 stk.

3.2. Montering av supplidair Conditioner (4090.100)

Skru beholderen (supplidair Conditioner) ned på stativet, se bildevedlegg for prosedyre.

3.3. Montering – supplidair

- Kontroller at alle komponenter er i god stand, dvs. uten synlig skade.
- Koble supplidair Conditioner til system for trykkluftdistribusjon eller direkte til en kompressor. Hvis supplidair Conditioner ikke brukes, kobles trykkluftforsyningen direkte til supplidair (Flow Master/for maske).
- Fest enheten på beltet ditt og koble til trykkslangen.
- Bruk hurtigkoblingen og koble trykkslangen fra trykkluftkilden til supplidair-enheten.

4. Før bruk

4.1. Kontroller før bruk

Kontroll før hver bruk:

- at individuelle deler, spesielt luftslangen og tetningsselementer, ikke har noen synlig skade,
- at slangen er festet korrekt til enheten og til hodedelkoblingen,
- at lufttrykket i distribusjonssystemet er i området 400 til 1000 kPa for både suppliedair og for maske, eller i området 300 til 1000 kPa for suppliedair-enheten,
- luftstrømmen i henhold til kapittel 4.2 – laveste tillatte strømningshastighet er 160 lpm,
- at luften leveres fra hodedelen.

4.2. Luftstrømtest (suppliedair/suppliedair/suppliedair For Mask)

Alle suppliedair-enheter er forhåndsjustert til en luftstrøm på 160 lpm. Følg instruksjonene i manualen som medfølger strømningsindikatoren når luftstrømmen måles. Gå frem som følger hvis luftstrømmen avviker:

1. Dra i kontrollknappen, du vil høre et klikk (se bildevedlegg).
2. For å stille inn optimal luftstrøm roteres kontrollknappen mot urviseren (se bildevedlegg). Du kan koble til strømningsindikatoren for å kontrollere luftstrømmen.
3. Dytt på kontrollknappen, du vil høre et klikk (se bildevedlegg).

ADVARSEL! Luftstrømmen bør ikke falle under 160 lpm!

5. Vedlikehold og rengjøring

suppliedair/suppliedair/suppliedair For Mask

Hver gang du avslutter arbeidet, anbefales det å rengjøre suppliedair-enheten, kontrollere individuelle deler og bytte ut evt. skadde.

- Rengjøring må utføres i et godt ventilert rom. Unngå inhalering av det skadelige støvet som sitter på enhetens individuelle deler og tilbehør!
- Det er ikke tillatt å bruke rengjøringsmidler som inneholder løsemidler eller slipende substanser. Vanlige vaskemidler anbefales.
- Luftslangen kan skylles med rent vann.
- Bruk en fuktig klut for rengjøring. Hver del må tørkes etter rengjøring.

suppliedair Conditioner

- En gang i uken må kondensat dreneres fra beholderbunnen ved hjelp av dreneringsventilen på bunnens side. Før dette gjennomføres, anbefales det å koble enheten fra trykkluftforsyningen.
- Bytt ut filteret minst en gang hver tredje måned. Etter denne perioden kan virus og bakterier forøkes i enhetsfilteret, og hvis brukt jevnlig kan absorpsjonsevnen for det aktive kullet som fjerner lukter være oppbrukt (hvis luften som forlater suppliedair Conditioner lukter på noen måte, må filteret skiftes ut øyeblikkelig).
- Ved skifting av filteret rengjøres den indre delen av beholderen med en tørr klut og vanlig vaskemiddel.

Skifting av suppliedair Conditioner-filter (se bildevedlegg)

- Skru løs toppdelen av suppliedair Conditioner-beholderen (6 inbus-skruer).
- Rengjør det forurensete filteret, tørk innsiden av beholderen.
- Kontroller tilstanden på gummipakningen på toppdekselet. Hvis pakningen er skadet, må den skiftes ut.
- Monter et nytt filter, sett på beholderdekselet og skru det fast.
- Kontroller beholderen for lekkasje. Hvis beholderen ikke er helt tett, strammes alle skruene på toppdekselet.

6. Lagring

Alle komponenter for suppliedair-systemer må lagres i rom med temperaturer mellom -10 °C og 55 °C med relativ luftfuktighet mellom 20 % og 80 %. Lagringstiden i lukkede beholdere er maks. 2 år.

7. Garanti

Garantitiden for produksjonsdefekter er 12 måneder fra salgsdato til kunde. Et krav må leveres til salgsorganisasjonen, og salgsbevis (faktura eller følgeseddel) må medfølge.

Garanti dekker ikke defekter forårsaket av sent skifte av filter eller bruk av filter skadet fra rengjøring eller blåsing.

8. Mulige feil

Hvis feil oppstår, f.eks. et brått fall eller brå økning i luftforsyningen, må brukeren forlate arbeidsstedet og deretter kontrollere følgende:

- At enheten er korrekt montert.
- Filtertilstanden i suppliedair Conditioner.
- At luftslangen ikke er skadet.
- At støydemperen i suppliedair/suppliedair/suppliedair For Mask ikke er tilstoppet.
- At ansiktstetningen på en beskyttelseshette eller -maske er i god stand.

ENHETEN LEVERER IKKE TILSTREKKELIG LUFT	
Mulig årsak	Anbefaling
Luftslange eller luftkanal blokkert.	Kontroller og fjern eventuelle hindre.
Luft slipper ut gjennom lekkasjer.	Kontroller alle tetningselementer og koblinger, kontroller at slangen ikke er skadet og ikke lekker.
Støydemperen er tilstoppet.	Skift ut støydemperen i suppliedair.
Filteret i suppliedair Conditioner er tilstoppet.	Skift filteret.

ENHETEN FUNGERER IKKE I DET HELE TATT	
Mulig årsak	Anbefaling
Svikt i trykkluftforsyningen. Skade på slange.	Kontroller trykkluftkilden.
	Kontroller at forbindelseslanger ikke er skadde.
	Send enheten til autorisert reparasjon.

9. Tekniske data

suppliedair	4090.000	4090.010
Minimal luftstrøm	160 lpm	
Maksimal luftstrøm	250 lpm	
Enhetens vekt	280 g	
Inntakskobling	Kompatibel med RECTUS-serie 25, 26 og CEJN320.	G1 1/4"
Utløpskobling	CA40x1/7"	
Støynivå for enhet:	max. 70 dB	
Midjestørrelse	60 – 150 cm	
Leveringstrykrområde	4 – 10 bar (4 – 10 bar (400 – 1000 kPa))	
Temperaturområde på arbeidsplass	+10 tot +40 °C	
Luktfuktighetsområde på arbeidsplass	20 % til 80 % Rh	
Sertifisering	EN 14594 klasse 4B	

suppliedair Conditioner	
Maksimal luftstrøm	500 lpm
Vekt uten filter	6300 g
Vekt inkludert filter	6800 g
Inntakskobling	Kompatibel med RECTUS-serie 25, 26 a CEJN320.
Utløpskobling	Kompatibel med RECTUS-serie 25, 26 a CEJN320.
Anbefalt temperaturområde på arbeidsplassen	0 til +40 °C
Anbefalt luktfuktighetsområde på arbeidsplassen	20 % til 80 % Rh
Sertifisering	Overholder EN 12021, gitt at kravene i TP-610050-1 er imøtekommet.

10. Godkjenning, sertifisering

Trykkluftsystemer suppliedair Pressure er testet og godkjent i samsvar med kravene i europeisk standard EN 14594:2005 for bruk enten med suppliedair vernehetter eller suppliedair vernemasker. Alle brukte deler i systemet må godkjennes av produsenten og brukes i samsvar med instruksjonene i denne brukermanualen.

Teknisk kontrollorgan for CE-testing: Výzkumný ústav bezpečnosti práce, v.v.i. – ZL
Testing Laboratory No. 1024, Jeruzalémská 1283/9, 110 00 Praha 1
Notified Body 1024

Erklæring om samsvar er tilgjengelig på:
<https://www.optrel.com/service/downloads/>



11. Reservedelsliste

suppliedair Pressure (Flow Master)	
Ordrenr.:	Beskrivelse:
4090.000	suppliedair + belte
4090.010	suppliedair + komfortbelte
4090.050	Standard slange 10 m for suppliedair
4090.052	Antistatisk slange 10 m for suppliedair
4090.051	Spiralslange 10 m for suppliedair , mekanisk sterk – mod.
4090.020	Støydemper
4090.030	Polstret komfortbelte
4090.040	Luftstrømsindikator

suppliedair Conditioner	
Ordrenr.:	Beskrivelse:
4090.100	suppliedair Conditioner
4090.110	Filter for suppliedair Conditioner

12. Klassifisering

Kombinasjoner av suppliedair med hjelmer og hetter	Klassifisering
clearmaxx hardhat	1B
clearmaxx, e684 hardhat, crystal2.0 hardhat, panoramaxx2.5 hardhat, panoramaxx CLT hardhat, panoramaxx quattro hardhat, e640 hardhat, e650 hardhat, e670 hardhat, e680 hardhat, vegaview2.5 hardhat	2B
e684, crystal2.0, panoramaxx2.5, panoramaxx CLT, panoramaxx quattro, e640, e650, e670, e680, vegaview2.5, liteflip autopilot, liteflip passive, liteflip autopilot hardhat, liteflip passive hardhat	3B
softhood long, softhood short	3A

Ważne

W celu zapewnienia własnego bezpieczeństwa przed rozpoczęciem użytkowania należy przeczytać i zapamiętać poniższe zalecenia. W przypadku jakichkolwiek pytań należy skontaktować się z producentem lub lokalnym dystrybutorem.

Instrukcję obsługi należy zachować do wykorzystania w przyszłości. Jednostki sprężonego powietrza można używać tylko do celów opisanych w niniejszej instrukcji obsługi.

1. Wstęp

Systemy przewodów sprężonego powietrza suppliedair Pressure służą do indywidualnej ochrony dróg oddechowych. Działają w oparciu o zjawisko nadciśnienia, stale dostarczając przefiltrowane powietrze do strefy oddychania (są to aparaty oddechowe oparte na stałym przepływie sprężonego powietrza). Powietrze pobierane jest ze źródła sprężonego powietrza (kompresora lub systemu przewodów powietrza) i dostarczane do regulatora suppliedair, który pozwala dostosować strumień powietrza dostarczanego za pomocą węża pneumatycznego do maski ochronnej lub kaptura. Efekt nadciśnienia zapobiega wniknięciu zanieczyszczeń do strefy oddychania. To umiarkowane nadciśnienie zapewnia jednocześnie komfort obsługi, nawet w trakcie długich okresów użytkowania, ponieważ osoba nosząca aparat nie musi intensywnie oddychać, aby pokonać opór filtra.

suppliedair Pressure nie jest jedynym systemem wyposażonym w miernik ciśnienia, za pomocą którego można sprawdzić aktualne ciśnienie wlotowe, oraz gwizdek alarmowy. W tę samą funkcję ostrzegania użytkownika o spadku ciśnienia wlotowego poniżej dolnego limitu ciśnienia operacyjnego wyposażone są również regulatory suppliedair Pressure Flow Master oraz suppliedair Pressure For Mask. Powietrze dostarczane bezpośrednio z kompresora lub systemu przewodów powietrza musi być higienicznie czyste i zgodne ze standardem EN 12021. Jeżeli jakość powietrza nie spełnia tego wymogu, pomiędzy regulatorem suppliedair a źródłem sprężonego powietrza należy zainstalować system filtrujący suppliedair Conditioner (Luftaufbereitung)!

Jakość powietrza przy wylocie systemu filtrującego suppliedair Conditioner będzie zgodna ze standardem EN 12021 w przypadku stosowania zakresu temperatur opisanego w Rozdziale 10 oraz zgodności powietrza z kompresora z wymogami Rozdziału 1.1. System filtrujący suppliedair Conditioner usuwa mgłą olejową, zapachy i smaki. Do stacji filtrującej podłączonych może być dwóch użytkowników.

System filtrujący suppliedair Conditioner nie usuwa z powietrza tlenku węgla (CO) ani dwutlenku węgla (CO₂)!!!

1.1. Wymogi dotyczące sprężonego powietrza dostarczanego z kompresora

- System filtrujący suppliedair Conditioner można podłączyć jedynie do kompresora dostarczającego powietrze o stężeniu tlenu w zakresie od 20% do 22% objętości. Stężenie dwutlenku węgla nie może przekroczyć 500 ppm, natomiast stężenie tlenku węgla nie może być wyższe niż 15 ppm.
- Maksymalne stężenie wody w powietrzu może wynosić 50 mg/m³ przy ciśnieniu znamionowym od 1 do 20 MPa. Wilgotność dostarczanego powietrza należy kontrolować po to, aby jednostka nie zamrzła.

2. Ograniczenia dotyczące użytkowania

Przed rozpoczęciem korzystania z systemu użytkownik musi w pełni zapoznać się z możliwymi niebezpieczeństwami w miejscu pracy oraz zostać dokładnie poinstruowany na temat bezpiecznego użytkowania środków ochrony osobistej. W przypadku jakichkolwiek wątpliwości należy skontaktować się z producentem lub lokalnym dystrybutorem. Systemów suppliedair należy używać wyłącznie z zagłówkiem wymienionym w tej instrukcji.

W związku powyższym niniejszą instrukcją obsługi należy czytać w powiązaniu z instrukcją użytkowania osłon głowy suppliedair.

Uważnie przeczytaj tę instrukcję obsługi i postępuj zgodnie z zawartymi w niej zaleceniami!!!!

- Użytkownik musi w pełni zrozumieć te zalecenia.
- Jeżeli podczas ciężkiej pracy oddech użytkownika jest zbyt intensywny, ciśnienie dodatnie wewnątrz kaptura może spaść i obniżyć skuteczność ochrony.
- Stosowanie powietrza wzbogaconego tlenem i tlenu w systemie suppliedair jest zabronione z powodu ryzyka eksplozji.
- Systemu można używać wyłącznie w miejscach, w których ryzyko uszkodzenia węża dopływu powietrza jest

małe i nic nie ogranicza ruchów użytkownika.

- Jeżeli poza jednostką suppliedair do źródła sprężonego powietrza podłączono inne urządzenie (np. pistolet natryskowy), użytkownik musi upewnić się, że do kaptura dostarczany jest odpowiedni strumień powietrza, nawet gdy to urządzenie pobiera powietrze w maksymalnym zakresie.
- W przypadku korzystania z jednostki przy wysokich temperaturach wąż dopływu powietrza musi być odporny na ich działanie.
- Zabrania się stosowania jednostki w miejscach zagrożonych wybuchem.
- Przed użyciem jednostki należy każdorazowo sprawdzić, czy przepływ powietrza jest wyższy niż wartość minimalna określona w specyfikacji technicznej.
- Jeżeli jednostka z dowolnego powodu przestanie pompować powietrze, użytkownik musi bezzwłocznie opuścić skażony obszar.
- Nie zaleca się, aby z jednostki używanej wraz z kaskiem spawalniczym, kaskiem ochronnym lub maską korzystać użytkownicy z brodą lub długimi włosami sięgającymi strefy oddychania.
- Należy uważać na wyższe stężenie CO₂ w dostarczonym powietrzu, które może zaistnieć, jeśli kompresor nie działa poprawnie, gdy olej smarowy płonie z powodu wyższych temperatur.
- Ciśnienie powietrza wlotowego musi mieć wartość w zakresie 400–1000 kPa.
- Źródło powietrza musi być wyposażone w zawór bezpieczeństwa, co uniemożliwia przekroczenia odpowiedniej wartości ciśnienia wlotowego.
- Węże ciśnienia wlotowego powinny znajdować się w takich obszarach stanowiska pracy, w których nie mogą zostać zniszczone.
- Węże ciśnienia w regulatorze suppliedair (Flow Master/ For Mask) oraz systemie filtrującym suppliedair Conditioner, nr zamówienia 4090.050 i 4090.051, nie są antystatyczne, natomiast maksymalna temperatura, w których można ich używać bez ryzyka uszkodzenia, wynosi 70°C.
- Maksymalna długość węża ciśnienia łączącego punkt dystrybucji sprężonego powietrza lub system filtrujący suppliedair Conditioner z jednostką nie może przekraczać 10 metrów; odnosi się to wyłącznie do produktów o klasie ochrony 1A–4A. W przypadku produktów o klasie ochrony 1B–4B długość węża jest nieograniczona.
- Zalecany zakres temperatury użytkowania wynosi 10–40°C, przy niższych temperaturach noszenie kaptura ochronnego lub maski z dopływem powietrza może być niekomfortowe.
- Do regulatora suppliedair należy dostarczać powietrze zadne do oddychania zgodnie z normą EN 12021.
- Regulator suppliedair można połączyć z akcesoriami ochrony głowy, które zilustrowano w dodatku graficznym na okładce instrukcji obsługi. Opisano tam również klasy poszczególnych połączeń.
- Informacje na temat akcesoriów ochrony głowy znajdują się w instrukcjach użytkowania akcesoriów ochrony głowy CA.
- W przypadku korzystania z regulatora suppliedair For Mask pomiędzy nim a maską należy umieścić odpowiedni filtr cząstek z dwoma łącznikami gwintowymi 50 02 48 lub 50 02 68 (w zależności od otaczających substancji zanieczyszczających). Pozwoli to oddychać bezpiecznie podczas ewentualnej ewakuacji, kiedy źródło ciśnienia przestanie działać.

Nieprzestrzeganie jakiegokolwiek reguły postępowania opisanej w niniejszej instrukcji obsługi spowoduje unieważnienie gwarancji!

3. Rozpakowywanie/ Montaż/ Obsługa i funkcje

3.1. Rozpakowywanie regulatora suppliedair

Sprawdź, czy przesyłka jest kompletna i że podczas transportu nie doszło do żadnego uszkodzenia.

Zawartość regulatora suppliedair (4090.000), regulatora suppliedair (4090.010):

Regulator suppliedair	1 sztuka
Pas do jednostki	1 sztuka
Wąż powietrzny	1 sztuka
Wskaźnik przepływu powietrza	1 sztuka
Instrukcja obsługi	1 sztuka

Zawartość systemu filtrującego suppliedair Conditioner (4090.100):

System filtrujący suppliedair Conditioner	1 sztuka
Stojak na jednostkę	1 sztuka
Śruby mocujące jednostkę do stojaka	2 sztuki
Uszczelki	4 sztuki
Instrukcja obsługi	1 sztuka

3.2. Montowanie systemu filtrującego suppliedair Conditioner (4090.100)

Przykręć zbiornik (suppliedair Conditioner) do podstawy; sposób wykonania czynności opisano w dodatku graficznym.

3.3. Montaż — regulator suppliedair

- Sprawdź, czy wszystkie komponenty są w dobrym stanie, tj. nie ma na nich widocznych uszkodzeń.
- Podłącz system filtrujący suppliedair Conditioner do systemu dystrybucji sprężonego powietrza lub bezpośrednio do kompresora. Jeżeli system filtrujący suppliedair Conditioner nie jest używany, źródło skompresowanego powietrza podłączane jest bezpośrednio do regulatora suppliedair.
- Zamontuj jednostkę na pasie i podłącz do niej wąż pneumatyczny.
- Za pomocą szybkozłączki podłącz wąż pneumatyczny ze źródła skompresowanego powietrza do regulatora suppliedair.

4. Przed użyciem

4.1. Sprawdź przed użyciem

Zawsze przed użyciem sprawdzaj:

- czy poszczególne części, zwłaszcza wąż powietrzny oraz elementy uszczelniające, są wolne od wszelkich widocznych uszkodzeń;
- czy wąż zamontowano poprawnie do jednostki i do łącznika przy akcesorium ochrony głowy;
- ciśnienie powietrza w systemie dystrybucji jest w zakresie od 400 do 1000 kPa w przypadku regulatora suppliedair i suppliedair For Mask lub w zakresie pomiędzy 300 a 1000 kPa w przypadku regulatora suppliedair;
- przepływ powietrza zgodnie z Rozdziałem 4.2 — najniższa dozwolona wartość przepływu to 160 lpm;
- czy powietrze jest dostarczane z akcesorium ochrony głowy.

4.2. Test przepływu powietrza (regulatory suppliedair)

Wszystkie regulatory suppliedair są wstępnie ustawione na przepływ powietrza o wartości 160 lpm. Podczas pomiaru przepływu powietrza należy przestrzegać zaleceń podanych w instrukcji użytkownika dołączonej do wskaźnika przepływu. Jeżeli wartość przepływu jest inna, wykonaj następujące czynności:

1. Pociągnij pokrętkę sterowania, aż usłyszysz kliknięcie (patrz dodatek graficzny).
2. Aby ustawić optymalny przepływ powietrza, przekręć pokrętkę sterowania w kierunku przeciwnym do ruchu wskazówek zegara (patrz dodatek graficzny). Aby sprawdzić przepływ powietrza, podłącz wskaźnik przepływu.
3. Popchnij pokrętkę sterowania, aż usłyszysz kliknięcie (patrz dodatek graficzny).

UWAGA! Przepływ powietrza nie powinien spaść poniżej 160 lpm!

5. Konserwacja i czyszczenie

Regulatory suppliedair

Każdorazowo po skończeniu pracy zaleca się czyścić regulator suppliedair, sprawdzając poszczególne części i zastępując te uszkodzone.

- Czyszczenie należy prowadzić w dobrze wentylowanym pomieszczeniu. Unikaj wdychania szkodliwego pyłu, który osadza się na poszczególnych częściach jednostki i akcesoriach!
- Zabronione jest korzystanie ze środków czyszczących zawierających rozpuszczalniki lub mających właściwości ściernie. Zaleca się stosowanie zwykłych detergentów.
- Przewód powietrza można splukać czystą wodą.
- Czyść, używając wilgotnej szmatki. Każdą wyczyszczoną część należy wytrzeć do sucha.

System filtrujący suppliedair Conditioner

- Raz w tygodniu osusz kondensat z dna zbiornika za pomocą zaworu osuszającego, który znajduje się w spodniej części. Przed wykonaniem tej czynności należy odłączyć jednostkę od dopływu sprężonego powietrza.
- Wymieniaj filtr co najmniej raz na trzy miesiące. Po tym okresie w filtrze gromadzić się mogą wirusy i bakterie, a jeśli jest używany regularnie, zdolności absorpcyjne węgla aktywnego eliminującego zapachy mogą zaniknąć (jeżeli powietrze wydostające się z systemu filtrującego suppliedair Conditioner pachnie, należy bezzwłocznie wymienić filtr).
- Podczas wymiany filtra wyczyść wewnętrzne części zbiornika, używając suchej szmatki i zwykłego detergentu.

Wymiana filtra w systemie filtrującym suppliedair Conditioner (patrz dodatek graficzny)

- Odkręć górną część zbiornika systemu filtrującego suppliedair Conditioner (6 śrub imbusowych).
- Usuń zanieczyszczony filtr, przetrzyj wewnętrzną część zbiornika.
- Sprawdź stan gumowej uszczelki w pokrywie górnej. Jeżeli uszczelka jest uszkodzona, wymień ją.

- Zainstaluj nowy filtr, załóż pokrywę zbiornika i dokręć ją z powrotem.
- Sprawdź, czy zbiornik nie przecieka. Jeżeli zbiornik nie jest idealnie szczelny, dokręć wszystkie śruby, które mocują pokrywę górną.

6. Przechowywanie

Wszystkie komponenty systemów suppliedair należy przechowywać w pomieszczeniach o temperaturze pomiędzy -10°C a 55°C, w których panuje względna wilgotność powietrza na poziomie pomiędzy 20% a 80%. Maksymalny czas przechowywania w zamkniętych zbiornikach to 2 lata.

7. Gwarancja

Gwarancja na wady fabryczne wynosi 12 miesięcy od dnia sprzedaży produktu klientowi. Reklamację należy składać w punkcie zakupu, przedstawiając dowód sprzedaży (faktura lub dowód dostawy). Gwarancja nie obejmuje usterek spowodowanych przez zbyt późną wymianę filtra lub używanie filtra zniszczonego w wyniku czyszczenia lub przedmuchiwania.

8. Ewentualne usterki

W przypadku wystąpienia dowolnej usterki, np. nagłego wzrostu lub spadku objętości dostarczanego powietrza, użytkownik powinien w pierwszej kolejności opuścić stanowisko pracy, a następnie sprawdzić:

- Czy urządzenie zamontowano poprawnie.
- Stan filtra w systemie filtrującym suppliedair Conditioner.
- Czy wąż pneumatyczny nie jest zniszczony.
- Czy tłumik hałasu w regulatorach suppliedair nie jest zatkany.
- Czy uszczelnienie czołowe na kapturze ochronnym lub masce jest w dobrym stanie.

JEDNOSTKA NIE DOSTARCZA ODPOWIEDNIEJ OBJĘTOŚCI POWIETRZA	
Prawdopodobna przyczyna	Zalecenia
Wąż pneumatyczny lub przewód powietrzny są zablokowane.	Sprawdź i usuń możliwą przeszkodę.
Powietrze ucieka przez szczeliny.	Sprawdź wszystkie elementy uszczelniające i punkty połączeń; upewnij się, że wąż nie jest zniszczony i nie przecieka.
Tłumik hałasu jest zatkany.	Wymień tłumik hałasu w regulatorze suppliedair.
Filtr w systemie filtrującym suppliedair Conditioner jest zatkany.	Wymień filtr.

JEDNOSTKA W OGÓLE NIE DZIAŁA	
Prawdopodobna przyczyna	Zalecenia
Awaria dopływu sprężonego powietrza. Uszkodzenie węża.	Sprawdź źródło sprężonego powietrza.
	Upewnij się, że węże przyłączeniowe nie są zniszczone.
	Prześlij jednostkę do autoryzowanego serwisu.

9. Specyfikacja techniczna

Regulator suppliedair	4090.000	4090.010
Maksymalny przepływ powietrza	160 lpm	
Maksymalny przepływ powietrza	250 lpm	
Masa urządzenia	280 g	
Przylącze wlotowe	Zgodne ze złączem RECTUS seria 25, 26 i CEJN320	G1 1/4"
Przylącze wylotowe	CA40x1/7"	
Poziom hałas emitowanego przez urządzenie	max. 70 dB	
Obwód pasa	60 – 150 cm	
Zakres ciśnienia wlotowego	4 – 10 bar (4 – 10 bar (400 – 1000 kPa))	
Zakres temperatury podczas pracy	+10 tot +40 °C	
Zakres wilgotności powietrza w miejscu pracy	20% do 80% wilgotności względnej	
Certyfikacja	EN 14594 Klasa 3A	

System filtrujący suppliedair Conditioner	
Maksymalny przepływ powietrza	500 lpm
Masa bez filtra	6300 g
Masa z filtrem	6800 g
Przylącze wlotowe	Zgodne ze złączem RECTUS seria 25, 26 oraz CEJN320.
Przylącze wylotowe	Zgodne ze złączem RECTUS seria 25, 26 oraz CEJN320.
Zalecany zakres temperatury pracy	od 0 do +40°C
Zalecany zakres wilgotności powietrza w miejscu pracy	20% do 80% wilgotności względnej
Certyfikacja	Zgodna z normą EN 12021, z zastrzeżeniem spełnienia wymogów TP-610050-1.

10. Zatwierdzenie do użytku, Certyfikacja

Systemy przewodów sprężonego powietrza suppliedair Pressure zostały przetestowane zgodnie z wymogami europejskiego standardu EN 14594:2005 i zatwierdzono je do użytku z kapturami ochronnymi suppliedair lub maskami ochronnymi suppliedair. Wszystkie części systemu muszą zostać zatwierdzone przez producenta i należy używać ich zgodnie z instrukcjami podanymi w niniejszej instrukcji obsługi.

Jednostka przeprowadzająca certyfikację CE:

Výzkumný ústav bezpečnosti práce, v.v.i. – ZL
Laboratorium badawcze nr 1024, Jeruzalémská 1283/9, 110 00 Praha 1
Notified Body 1024

Deklaracja zgodności jest dostępna pod adresem:
<https://www.optrel.com/service/downloads/>



11. Lista części zamiennych

Regulator suppliedair Pressure (Flow Master)	
Nr zamówienia:	Opis:
4090.000	Regulator suppliedair + pas
4090.010	Regulator suppliedair + pas nośny
4090.050	Wąż standardowy 10 metrowy do systemu suppliedair
4090.052	Wąż antystatyczny 10 metrowy do systemu suppliedair
4090.051	Wąż spiralny 10 metrowy do systemu suppliedair , mechanicznie odporny — mod.
4090.020	Tłumik hałasu
4090.030	Wyściełany pas nośny
4090.040	Wskaźnik przepływu powietrza

System filtrujący suppliedair Conditioner	
Nr zamówienia:	Opis:
4090.100	System filtrujący suppliedair Conditioner
4090.110	Filtr do systemu filtrującego suppliedair Conditioner

12. Klasyfikacja

Kombinacje suppliedair z hełmami i kaptury	Klasyfikacja
clearmaxx hardhat	1B
clearmaxx, e684 hardhat, crystal2.0 hardhat, panoramaxx2.5 hardhat, panoramaxx CLT hardhat, panoramaxx quattro hardhat, e640 hardhat, e650 hardhat, e670 hardhat, e680 hardhat, vegaview2.5 hardhat	2B
e684, crystal2.0, panoramaxx2.5, panoramaxx CLT, panoramaxx quattro, e640, e650, e670, e680, vegaview2.5, liteflip autopilot, liteflip passive, liteflip autopilot hardhat, liteflip passive hardhat	3B
softhood long, softhood short	3A

Důležité

V zájmu vlastní bezpečnosti si před prvním použitím nejprve přečtěte a zapamatujte následující instrukce. Uchovejte prosím tento návod pro budoucí použití. Systém tlakového vzduchu suppliedair Pressure by měla být použita pouze k účelům vyjmenovaným v tomto návodu.

1. Úvod

Systém stlačeného vzduchu suppliedair Pressure je systém osobní ochrany dýchacích cest založený na principu přetlaku soustavně dodávaného filtrovaného vzduchu do dýchací zóny (hadicové dýchací přístroje na tlakový vzduch se stálým průtokem).

Narozdí od jednotky suppliedair Pressure jsou jednotky suppliedair Pressure Flow Master a suppliedair Pressure For Mask takéž vybaveny tlakoměrem pro kontrolu vstupního tlaku a současně i bezpečnostní píšťalkou, která varuje uživatele v případě, že vstupní tlak poklesne pod spodní limit povoleného provozního tlaku.

Vzduch přiváděný napřímo z kompresoru (či rozvodu tlakového vzduchu) do jednotky musí vyhovovat normě EN 12021. Pokud vzduch nevyhovuje těmto podmínkám, je nutné zařadit suppliedair Conditioner (Luftaufbereitung) mezi zdroj tlakového vzduchu a suppliedair.

Vzduch na výstupu z suppliedair Conditioner (Luftaufbereitung) vyhovuje normě EN 12021 v případě je používán v rozsahu teplot uvedených v kapitole 10 a vzduch z kompresoru vyhovuje požadavkům uvedeným v kapitole 1.1. suppliedair Conditioner odstraňuje olejové mlhy, pachy a chutě. V jeden okamžik mohou být k filtrační stanici připojeni dva uživatelé (suppliedair Conditioner).

suppliedair Conditioner neodstraňuje ze vzduchu oxid uhelnatý (CO) and oxid uhličitý (CO₂)!!!

1.1. Požadavky na stlačený vzduch přicházející z kompresoru

- suppliedair Conditioner může být připojen pouze na kompresor distribuující vzduch s procentuelním zastoupením kyslíku 20 % až 22 %. Koncentrace oxidu uhličitého nesmí překročit 500 ppm a koncentrace oxidu uhličitého nesmí překročit 15 ppm.
- Koncentrace vody ve vzduchu by neměla překročit 50 mg/m³ při jmenovitém tlaku vzduchu v rozmezí 1 - 20 MPa. Vlhkost vzduchu přicházejícího z kompresoru musí být kontrolována jako prevence proti zamrznutí jednotky.

2. Omezení použití

Před použitím systému musí být uživatel plně obeznámen s možnými riziky na pracovišti a plně informován o způsobu bezpečného použití ochranných prostředků. V případě jakýchkoli pochyb kontaktujte výrobce, nebo vašeho lokálního distributora. Systémy suppliedair musí být používány výhradně s čelním panelem uvedeným v této příručce.. Proto čtěte tento uživatelský manuál společně s návodem k hlavním dílům suppliedair.

Čtěte tento návod pozorně a postupujte dle pokynů!!!

- Uživatel musí plně chápat pokyny.
- V případě extrémní pracovní zátěže může tlak v kukle, či masce klesnout pod úroveň atmosferického tlaku a v těchto případech může být ochrana uživatele snížena.
- Při použití systému suppliedair je kvůli hrozbě exploze zakázáno používat vzduch obohacený o kyslík.
- Systém může být použit pouze v prostředí s nízkou pravděpodobností poškození přírodní hadice, prostředí v němž je systém využíván by zároveň nemělo uživatele omezovat v pohybu.
- V případě, že je kromě systému suppliedair k přívodu stlačeného vzduchu připojeno další příslušenství (např. vzduchová pistole), uživatel se musí ujistit, že je zajištěn dostatečný přívod vzduchu do hlavového dílu i při maximálním využití připojeného příslušenství.
- Pokud je zařízení používáno v prostředích s vysokými teplotami, přírodní hadice musí být vůči tomuto vlivu odolná.
- Je zakázáno používat zařízení ve výbušném prostředí.
- Před každým použitím zkontrolujte, že je skutečný průtok vzduchu vyšší, nežli minimální hodnot uvedená ve technických parametrech.

- Pokud z jakéhokoli důvodu jednotka přestane dodávat vzduch, uživatel musí neprodleně opustit kontaminovanou oblast.
- Jednotka v kombinaci se svářecí kuklou, nebo bezpečnostní přilbou není doporučena pro uživatele s bradkou, nebo s dlouhými vlasy přesahujícími do dýchací zóny.
- Dejte si pozor na zvýšené koncentrace CO₂ na vstupní straně, které se mohou vyskytnout v případě, že kompresor nepracuje správně (v případě, že mazací olej spalován díky vysokým teplotám).
- Vstupní tlak musí být v mezích 400 - 1000 kPa.
- Zdroj tlakového vzduchu musí být vybaven bezpečnostním ventilem, aby bylo možné garantovat, že vstupní tlak nebude překročen.
- Hadice přivádějící tlakový vzduch mohou být umístěny pouze na místech, kde nemohou být poškozeny.
- Tlakové hadice pro suppliedair a suppliedair Conditioner, objednáací číslo 4090.050 a 4090.051 nejsou antistatické a maximální teploty vůči kterým jsou odolné bez poškození činí 70 °C.
- Maximální vzdálenost tlakové hadice vedoucí z kompresoru, nebo z suppliedair Conditioner činí 10 m.
- Doporučený rozsah teplot pro použití je 10 - 40 °C; při nižších teplotách může být používání ochranné kukly, či masky nepohodlné.
- Jednotku suppliedair je nezbytné zásobovat dýchatelným vzduchem dle normy EN 12021.
- Jednotky suppliedair mohou být kombinovány s hlavovými díly uvedenými v obrázkové příloze. Můžete zde nalézt taktéž ochranné třídy pro dané kombinace.
- Návod k použití hlavových dílů je vždy přiložen ke konkrétnímu produktu.
- Pokud používáte jednotku suppliedair For Mask, musíte umístit dvouzátvový filtr 50 02 48, nebo 50 02 68 (v závislosti na okolní kontaminaci) mezi jednotku a masku. Tento koncept vám umožní dýchat v průběhu evakuace, v případě, kdy by zdroj tlakového vzduchu přestal fungovat.

Pokud je kterýkoli z uvedených principů v tomto manuálu porušen, záruka zaniká!

3. Rozbalení / montáž / funkce a použití

3.1. Rozbalení suppliedair

Zkontrolujte, že dodávka je kompletní a nedošlo k žádnému poškození při přepravě.

Obsah balení suppliedair (4090.000) a suppliedair (4090.010):

Jednotka suppliedair	1 ks
Opasek	1 ks
Vzduchová hadice	1 ks
Indikátor průtoku vzduchu	1 ks
Návod	1 ks

Obsah balení suppliedair Conditioner (4090.100):

Jednotka suppliedair Conditioner	1 ks
Stojan	1 ks
Šrouby k upevnění na stojan	2 ks
Podložky	4 ks
Návod	1 ks

3.2. Sestavení jednotek suppliedair

- Zkontrolujte, že jsou všechny komponenty v pořádku, tj. bez zjevného poškození.
- Připojte suppliedair Conditioner k rozvodu stlačeného vzduchu, nebo přímo ke kompresoru. Zdroj vzduchu musí být vybaven bezpečnostním ventilem. Pokud není suppliedair Conditioner použit, tlakový vzduch připojte přímo k suppliedair.
- Upevněte jednotku na opasek a propojte pomocí vzduchové hadice do hlavového dílu.
- Pomocí rychlospojky připojte tlakovou hadici ze zdroje tlakového vzduchu k jednotce suppliedair

3.3. Sestavení suppliedair Conditioner (4090.100)

Sešroubujte jednotku suppliedair Conditioner se stojanem. Jako návod použijte obrazovou přílohu 1A.

4. Před použitím

4.1. Zkontrolujte před použitím

Před každým použitím zkontrolujte:

- že nejsou jednotlivé díly (především vzduchová hadice a těsnění) poškozeny,
- že je vzduchová hadice správně připojena k jednotce i k hlavovému dílu,
- že je tlak v rozvodu ztlakového vzduchu v rozmezí 400 až 1000 kPa pro jednotky suppliedair.
- že je průtok vzduchu na výstupu z jednotky dostatečný (dle indikátoru průtoku vzduchu, viz kapitola 4.2),
- že je hlavový díl zásobován vzduchem.

4.2. Test průtoku vzduchu (suppliedair)

Jednotky jsou přednastaveny na průtok vzduchu 170 l/min. V případě, že měříte průtok vzduchu, dbejte pokynů v návodu přiloženému k indikátoru průtoku vzduchu. Pokud naměřený průtok neodpovídá, učiňte následující kroky:

- Uvolněte tahem redukční ventil (uslyšíte cvaknutí) - viz. obrazová příloha.
- Pro nastavení optimálního průtoku vzduchu otáčejte redukčním ventilem po směru, či proti směru hodinových ručiček. Pro kontrolu průtoku vzduchu připojte indikátor průtoku vzduchu (viz. obrazová příloha).
- Zatlačte na redukční ventil a vraťte ho do původní pozice - uslyšíte cvaknutí (viz. obrazová příloha)

VAROVÁNÍ: Průtok vzduchu by neměl klesnout pod 160 l/min!!!

5. Údržba a čištění

suppliedair

Na konci každé směny je doporučeno vyčistit jednotku, zkontrolovat jednotlivé díly a vyměnit poškozené části.

- Čištění jednotky musí probíhat v dobře ventilované místnosti. Vyhněte se vdechnutí škodlivého prachu usazeného na jednotlivých částech jednotky a příslušenství!
- Je zakázáno používat čistící prostředky obsahující rozpouštědla a abrazivní látky. K čištění lze doporučit běžné detergenty.
- Vzduchová hadice může být opláchnována čistou vodou.
- K čištění používejte vlhký hadr. Každá část musí být utřena do sucha.

suppliedair Conditioner

- Jednou za týden vypustte zkondenzovanou vodu z nádrže za pomoci výpusti umístěné na spodní části. Před tímto úkonem je doporučeno odpojit jednotku od zdroje stlačeného vzduchu.
- Vyměňte tento filtr vždy alespoň jednou za 3 měsíce. Po uplynutí této doby se mohou v jednotce začít velmi rychle množit viry a bakterie. V případě, že je jednotka používána pravidelně, absorpční kapacita aktivního uhlí eliminujícího zápach může být vyčerpána (pokud vzduch vycházející z jednotky suppliedair Conditioner jakkoli zapáchá, vyměňte okamžitě filtr).
- Když měníte filtr, vyčistěte nejprve vnitřek jednotky suchým hadrem za pomoci běžného detergentu.

Výměna filtru suppliedair Conditioner: (viz. obrázková příloha)

- Odšroubujte horní část jednotky (6 šroubů).
- Odstraňte filtr jednotky a vyčistěte její vnitřek.
- Zkontrolujte stav pryžového těsnění víka jednotky. Pokud je poškozené, vyměňte ho.
- Vložte nový filtr, nasadte víko filtru a našroubujte ho zpátky.
- Zkontrolujte zdali z nádoby neuniká vzduch. Pokud není nádoba naprosto těsná, utáhněte znovu všechny šrouby na horní straně.

6. Skladování

Všechny komponenty systému suppliedair musí být skladovány v prostorách s teplotami v rozsahu -10 °C až 55 °C s relativní vlhkostí 20 % až 80 %. Možná doba skladování v uzavřených kontejnerech je maximálně 2 roky.

7. Záruka

Záruka pro výrobní závady je 12 měsíců od data prodeje koncovému zákazníkovi. Nárok musí být uplatněn u prodávajícího při současném předložení faktury, či dodejky. Záruka ztrácí platnost v případě poškození způsobeného pozdní výměnou filtru, nebo použitím filtru poškozeného čištěním, nebo profukováním.

8. Jak postupovat v případě selhání

Pokud se vyskytne jakákoli chyba, náhlý pokles nebo vzestup množství dodávaného vzduchu a uživatel se právě nachází v kontaminovaném prostředí, je nezbytné, aby pracovník co nejrychleji opustil pracoviště a následně zkontroloval následující:

- Že je jednotka správně sestavená.
- Stav filtru suppliedair Conditioner.
- Že není poškozená vzduchová hadice.
- Že není ucpán tlumič hluku v jednotce suppliedair.
- Že je obličejová rouška na ochraně kukle, nebo masce v dobrém stavu.

JEDNOTKA NEPOSKYTUJE DOSTATEČNÉ MNOŽSTVÍ VZDUCHU	
Pravděpodobná příčina	Doporučení
Hadice, nebo vzduchový kanál jsou ucpané.	Zkontrolujte a odstraňte případné překážky.
Vzduch uniká díky netěsnostem.	Zkontrolujte všechny těsnící elementy a spoje a proveďte zdali není hadice poškozená a neobsahuje díry.
Tlumič hluku je ucpáný.	Vyměňte tlumič hluku.
Filtr v suppliedair Conditioner je ucpáný.	Vyměňte filtr.

JEDNOTKA VŮBEC NEFUNGUJE	
Pravděpodobná příčina	Doporučení
Závada na straně zdroje tlakového vzduchu, nebo poškozená hadice.	Zkontrolujte zdroj stlačeného vzduchu.
	Ověřte, zdali jsou propojovací hadice v pořádku.
	Odešlete jednotku do autorizovaného servisu.

9. Technické údaje

suppliedair	4090.000	4090.010
Minimum air flow	160 lpm	
Maximum air flow	250 lpm	
Weight of unit	280 g	
Inlet connection	Kompatibilní s řadami RECTUS 25, 26 a CEJN320	G1 1/4"
Outlet connection	CA40x1/7"	
Noise level of unit	max. 70 dB	
Waist size	60 – 150 cm	
Supply pressure range	4 – 10 bar (4 – 10 bar (400 – 1000 kPa))	
Temperature range at work	+10 to +40 °C	
Air humidity range at workplace	20 % to 80 % Rhj	
Certification	EN 14594 Class 3A	

suppliedair Conditioner	
Maximální průtok vzduchu	500 l/min
Hmotnost bez filtru	6 300 g
Hmotnost včetně filtru	6 800 g
Vstupní konektor	Kompatibilní s RECTUS 25, 26 a CEJN320
Výstupní konektor	Kompatibilní s RECTUS 25, 26 a CEJN320
Doporučený teplotní rozsah při práci	0 to +40 °C
Doporučená relativní vzdušná vlhkost při práci	20 % to 80 % Rh
Certifikace	Pokud jsou splněny požadavky uvedené v TP-610050-1, pak odpovídá EN 12021

10. Certifikace

Systémy tlakového vzduchu suppliedair Pressure jsou testovány a schváleny v souladu s požadavky Evropského standardu EN 14594:2005 buď pro kombinaci s kuklami, či maskami suppliedair. Všechny části systému musí být scháleny výrobcem a používány v souladu s instrukcemi v návodu.

Notifikovaná osoba pro testování CE: Výzkumný ústav bezpečnosti práce, v.v.i. – ZL
 Testovací laboratoř č. 1024, Jeruzalémská 1283/9, 110 00 Praha 1
 Notifikovaná osoba 1024

Prohlášení o shodě je k dispozici na adrese:
<https://www.optrel.com/service/downloads/>



11. Seznam náhradních dílů

suppliedair Pressure Flow Master	
Objednáací č.:	Popis:
4090.000	suppliedair + opasek
4090.010	suppliedair + komfortní opasek
4090.050	Standardní hadice 10 m pro suppliedair
4090.052	Antistatická hadice 10 m for suppliedair
4090.051	Spirálová hadice 10 m pro suppliedair , mechanicky odolná
4090.020	Tlumič hluku
4090.030	Polstrovaný pohodlný pás
4090.040	Indikátor průtoku vzduchu

suppliedair Conditioner	
Objednáací č.:	Popis:
4090.100	suppliedair Conditioner
4090.110	Filtr pro suppliedair Conditioner

12. Klasifikace

Kombinace suppliedair s přílbami a kukla	Klasifikace
clearmaxx hardhat	1B
clearmaxx, e684 hardhat, crystal2.0 hardhat, panoramaxx2.5 hardhat,, panoramaxx CLT hardhat, panoramaxx quattro hardhat, e640 hardhat, e650 hardhat, e670 hardhat, e680 hardhat, vegaview2.5 hardhat	2B
e684, crystal2.0, panoramaxx2.5, panoramaxx CLT, panoramaxx quattro, e640, e650, e670, e680, vegaview2.5, liteflip autopilot, liteflip passive, liteflip autopilot hardhat, liteflip passive hardhat	3B
softhood long, softhood short	3A

重要提示

使用前，请务必阅读并记住以下说明，以确保自身安全。如果您有任何问题，请联系制造商或经销商。请妥善保管好本手册，以备日后参考。本压缩空气设备只能用于本手册中所述的用途。

1. 简介

suppliedair Pressure 压缩空气管路系统是根据呼吸带内持续供应的过滤空气要超压的原则开发的个人呼吸防护系统。空气从压缩空气源（空气压缩机或空气管路系统）输送至 suppliedair 系统，后者允许调节通过空气软管输送至防护面罩或头罩的空气流量。超压可防止污染物进入呼吸带。同时，这种轻度超压还能确保佩戴者即使长时间使用也不会感觉到不舒服，因为佩戴者不需要克服过滤器的阻力呼吸。

suppliedair Pressure并不是唯一配备压力计（用于检查当前输入压力）和警笛的系统，suppliedair Pressure Flow Master 和suppliedair Pressure For Mask 都具有相同的功能，一旦进气口压力低于工作压力的下限，将会向使用者发出警报。压缩机或空气管路系统直接供应的空气必须卫生、清洁，符合 EN 12021 标准。如果空气不符合此项要求，可在 suppliedair 和压缩空气源之间安装 suppliedair Conditioner (Luftaufbereitung) ！

如果在第 10 节中规定的温度范围内使用且压缩机送出的空气符合第 1.1 节中的要求，suppliedair Conditioner 出口口的空气质量将能够达到 EN 12021 标准的要求。suppliedair Conditioner 可清除油雾、气味和味道。过滤站可连接两个使用者。

suppliedair Conditioner 不会清除空气中的一氧化碳 (CO) 或二氧化碳 (CO₂) !!!

1.1. 对压缩机供应的压缩空气的要求

- suppliedair Conditioner 只能连接以20 % 至 22 % 的体积浓度供应空气的压缩机。二氧化碳的浓度不得超过 500 ppm，一氧化碳的浓度不得超过 15 ppm。
- 在 1 - 20 Mpa 的额定压力下，空气中水的最大浓度不得超过 50 mg/m³。必须控制所供应的空气湿度，以防设备冻住。

2. 使用限制

使用系统之前，使用者必须充分了解工作场所内可能存在的风险，并充分了解如何安全地使用个人防护设备。如有任何疑问，请联系制造商或当地的经销商。Suppliedair系统必须仅与本手册中列出的床头板一起使用。因此，阅读本手册时。

请仔细阅读本手册并遵循其中的相关说明!!!

- 使用者必须充分理解相关说明。
- 在紧张工作期间，如果使用者的呼吸变得过于急促，则可能指示头罩内的正压力降低，导致防护系数下降。
- 禁止在 suppliedair 系统中使用富氧空气和氧气，因为存在爆炸的风险。
- 此系统只能在供气软管损坏可能性较低且使用者的活动不受限制的环境中使用。
- 除了 suppliedair 以外，也可将其他附件（如喷枪）连接至压缩气源，但使用者必须确保即使在该附件的最大耗气量下，头罩也能有充足的气流供应。
- 如果本设备在高温环境中使用，所用的供气软管必须能够耐受高温。
- 禁止在爆炸性环境中使用本设备。
- 每次使用本设备之前，请检查空气流量是否高于技术参数中规定的最小值。
- 如果本设备因任何原因而停止供应空气，使用者必须立即离开被污染的区域。
- 在与焊接头盔、安全头盔或面罩组合时，不建议胡须或长发伸出呼吸带的使用者使用本设备。
- 要注意气源中可能有较高的 CO₂ 浓度，如果压缩机因润滑油在高温下燃烧而无法正常工作，就可能会出现这种情况。
- 供气压力必须在 400 - 1000 kPa 之间。
- 气源必须配备安全阀，以确保不会超出进气口的压力。
- 供气压力软管只能布置在工作区域内能够确保其不会损坏的区域。
- suppliedair 和 suppliedair Conditioner 的压力软管（订单号：4090.050 和4090.051）不抗静电，最高可耐受 70 °C 的温度而不损坏。
- 压缩空气分配系统或 suppliedair Conditioner 和本设备之间的压力软管长度最大不得超过 10 m；这仅适用于防护等级为 1A - 4A 的产品组合。对于防护等级为 1B - 4B 的产品组合，供气压力软管的长度不受限制。
- 建议在 10 - 40 °C 的温度范围内使用；在更低的温度下使用带气源的防护头罩或面罩可能会不舒服。
- 对于 suppliedair，必须要依据 EN 12021 的要求提供可呼吸的空气。

- suppliedair 可以和本手册封面上的图片附件中所示任何类型的头罩组合使用。附件中还标示了各组合的防护等级。
- 在 suppliedair 头罩使用说明中提供了头罩的相关信息。
- 如果使用 suppliedair For Mask, 您必须在本设备和面罩之间配备一个适用的双头过滤器 50 02 48 或 50 02 68 (视周围的污染物而定)。当因为压力源停止工作时, 可能需要疏散, 此理念将允许您在疏散期间安全地呼吸。

如果未遵循本手册中所规定的任何原则, 保修将会失效!

3. 开箱/组装/使用及功能

3.1. 开箱suppliedair

检查交付的设备完好, 运输过程中是否有损坏。

suppliedair (4090.000) 和 suppliedair (4090.010) 的包装内容:

suppliedair 设备	1 台
设备腰带	1 条
风管	1 条
空气流量指示器	1 个
使用手册	1 本

suppliedair Conditioner (4090.100) 的包装内容:

suppliedair Conditioner设备	1 台
设备支架	1 个
连接设备和支架的螺钉	2 颗
垫圈	4 个
使用说明书	1 本

3.2. 组装 suppliedair Conditioner (4090.100)

用螺钉将容器 (suppliedair Conditioner) 固定于支架上; 操作步骤请参见图片附件。

3.3. 组装 suppliedair

- 检查所有组件是否完好, 即没有明显的损坏痕迹。
- 将 suppliedair Conditioner 连接至压缩空气分配系统或直接连接至压缩机。如果未使用 suppliedair Conditioner, 可以直接将压缩气源连接至 suppliedair。
- 将设备连接腰带, 然后再连接压力软管。
- 使用快速接头在压缩气源和 suppliedair 设备之间连接压力软管。
-

4. 使用前须知

4.1. 使用前检查

请在每次使用前检查:

- 各部件是否有明显的损坏痕迹, 特别是空气软管和密封件
- 软管是否已正确连接至设备和头罩连接器

- 分配系统中的空气压力是否在 400 – 1000 cm kPa (suppliedair 和 For Mask) 或 300 – 1000 kPa (suppliedair 设备) 范围内
- 空气流量是否符合第 4.2 节的要求 (可容许的最低流量为 170 升/分)
- 头罩是否供应空气。

4.2. 空气流量测试 (suppliedair)

所有 suppliedair 设备的空气流量均已预调至 170 升/分。在测量气流时, 请按照流量指示器随附的使用手册中的说明操作。如果流量不一致, 请按如下步骤操作:

1. 拉起控制旋钮, 您将听到咔哒声 (参见图片附件)。
2. 若要设置最佳空气流量, 可逆时针旋转控制旋钮 (参见图片附件)。若要检查流量, 可连接流量指示器。
3. 按下控制旋钮, 您将听到咔哒声 (参见图片附件)。

警告! 空气流量不得低于 160 升/分!

5. 维护和清洁

suppliedair/ suppliedair /suppliedair For Mask

建议在每次工作结束后清洁 suppliedair 设备、检查各部件并更换损坏的部件。

- 清洁工作必须在通风良好的房间内进行。避免吸入设备部件和附件上沉积的有害粉尘!
- 禁止使用含溶剂或磨蚀剂的清洁剂。建议使用常用的清洁剂。
- 空气软管可用清水冲洗。
- 使用湿布进行清洁。清洁后必须擦干各部件。

suppliedair Conditioner

- 使用容器底部的排水阀排出容器中的冷凝水, 每周一次。在进行此项操作之前, 建议先断开设备和压缩气源的连接。
- 过滤器至少要每三个月更换一次。超过此期限后, 设备过滤器上可能会滋生病毒和细菌, 如果经常使用, 用于清除气味的活性炭的吸附能力可能会丧失 (如果从 suppliedair Conditioner 中出来空气有任何异味, 应立即更换过滤器)。
- 更换过滤器时, 先用干布和清洁剂擦净容器内部。

更换 suppliedair Conditioner 过滤器 (参见图片附件)

- 拆下 suppliedair Conditioner 容器的顶盖 (6 颗内六角螺钉)。
- 拆下被污染的过滤器, 擦净容器内部。
- 检查顶盖内橡胶密封件的状态。如果密封件损坏, 必须进行更换。
- 安装新过滤器, 将容器盖板装回并拧紧。
- 检查容器是否存在泄漏。如果容器不完全密封, 则要拧紧所有用于紧固顶盖的螺钉。

6. 存放

suppliedair 系统的所有组件必须存放在温度为 -10°C 至 55°C 、相对湿度为 20% 至 80% 的房间内。在封闭容器内最多可存放 2 年。

7. 质保

对于制造方面的缺陷, 质保期为 12 个月 (自销售给客户之日起)。必须向销售机构提出索赔并提交销售证据 (发票或交货单)。

因迟装过滤器或使用在清洁或吹洗过程中被损坏的过滤器而导致的缺陷不在质保范围之列。

8. 可能的故障

如果发生故障, 例如供气量突然减少或增多, 用户必须先离开工作场所, 然后再检查:

- 设备是否组装正确。
- 位于 suppliedair Conditioner 中的过滤器状态。
- 空气软管是否损坏。

- suppliedair 中的消音器是否被堵塞。
- 防护头罩或面罩上的面部密封是否完好。

设备无法供应足量的空气	
可能的原因	建议
空气软管或管道被堵塞。	检查并移除可能存在的障碍物。
空气从泄漏点逸出。	检查所有密封件和连接处；检查软管是否损坏、有无泄漏。
消音器被堵塞。	更换 suppliedair 中的消音器。
suppliedair Conditioner 中的过滤器被堵塞。	更换过滤器。

设备不工作	
可能的原因	建议
压缩气源出现故障。软管损坏。	检查压缩气源。
	检查连接软管是否损坏。
	将设备送至授权服务点检修。

9. 技术数据

suppliedair	4090.000	4090.010
最小空气流量	170 升/分	
最大空气流量	250 升/分	
设备重量	280 g	
进气口接头	兼容 RECTUS 25、26 和 CEJN320。	G1 1/4 “
出气口接头	CA40x1/7”	
设备噪音水平	max. 70 dB	
腰围	60 - 150 cm	
供气压力范围	4 - 10 bar (4 - 10 bar (400 - 1000 kPa))	
工作温度范围	+10 至 +40 ° C	
工作场所空气湿度范围	20% 至 80% (相对湿度)	
认证	EN 14594 Class 3A	

suppliedair Conditioner	
最大空气流量	500 升/分
重量 (不含过滤器)	6300 g
重量 (含过滤器)	6800 g
进气口接头	兼容 RECTUS 25、26 和 CEJN320。
出气口接头	兼容 RECTUS 25、26 和 CEJN320。
建议工作温度范围	0 至 +40 ° C
工作场所建议空气湿度范围	20% 至 80% (相对湿度)
认证	符合 EN 12021 标准, 满足 TP-610050-1 的要求。

10. 认可与认证

suppliedair Pressure 压缩空气管路系统按照欧洲标准 EN 14594:2005 测试和认可, 适用于suppliedair 防护头罩和 suppliedair 防护面罩。所有系统部件都必须得到制造商的批准, 并按照本使用手册中的说明使用。

CE 测试认证机构

Výzkumný ústav bezpečnosti práce, v.v.i.– ZL
测试实验室编号 1024, Jeruzalémská 1283/9, 110 00 Praha 1
Notified Body 1024

符合性声明可在以下网址获得:

<https://www.optrel.com/service/downloads/>



11. 备件列表

suppliedair	
订单号:	说明:
4090.000	suppliedair+ 腰带
4090.010	suppliedair+ 舒适型腰带
4090.050	标准软管, 10 m, 用于 suppliedair
4090.052	抗静电软管, 10 m, 用于 suppliedair
4090.051	螺旋式软管, 10 m, 用于 suppliedair , 抗机械损伤, 改进型
4090.020	消音器
4090.030	舒适型带护垫腰带
4090.040	空气流量指示器

suppliedair Conditioner	
订单号:	说明:
4090.100	suppliedair Conditioner
4090.110	过滤器, 用于suppliedair Conditioner

12. 分类

suppliedair 与头盔的组合 和头罩	分类
clearmaxx hardhat	1B
clearmaxx, e684 hardhat, crystal2.0 hardhat, panoramaxx2.5 hardhat, panoramaxx CLT hardhat, panoramaxx quattro hardhat, e640 hardhat, e650 hardhat, e670 hardhat, e680 hardhat, vegaview2.5 hardhat	2B
e684, crystal2.0, panoramaxx2.5, panoramaxx CLT, panoramaxx quattro, e640, e650, e670, e680, vegaview2.5, liteflip autopilot, liteflip passive, liteflip autopilot hardhat, liteflip passive hardhat	3B
softhood long, softhood short	3A

Fontos

Kérjük, saját biztonsága érdekében használat előtt olvassa el, és jegyezze meg az alábbi utasításokat. Ha bármilyen kérdése van, kérjük, forduljon a gyártóhoz vagy a forgalmazójához. Őrizze meg a kézikönyvet későbbi használathoz. A sűrítettlevegő-egységet kizárólag a kézikönyvben felsorolt célokra szabad használni.

1. Bevezető

A suppliedair Pressure sűrítettlevegő-vezetékrendszerek olyan egyéni légzésvédő rendszerek, amelyek azon az elven alapulnak, hogy a légzési zónába folyamatosan túlnyomás alatti szűrt levegő áramlik (folyamatos áramlású, sűrített levegős légzőkészülékek). A levegő sűrítettlevegő-forrásból (kompresszor vagy légvezeték rendszer) érkezik, és a suppliedair rendszerbe továbbítódik, ami lehetővé teszi a levegőtömlőn keresztül védőmaszkba vagy -csuklyába szállított levegőáramlás szabályozását. A túlnyomás megakadályozza, hogy szennyezések kerüljenek a légzési zónába. Ezzel egyidejűleg ez az enyhe túlnyomás biztosítja a készülék viselőjének kényelmét hosszas használat esetén is, mivel a viselőnek nem kell a légzés során a szűrő ellenállását leküzdenie.

A suppliedair Pressure nem az egyetlen olyan rendszer, ami aktuális bemenő nyomást ellenőrző nyomásmérővel és figyelmeztető síppal van ellátva, mind a suppliedair Pressure Flow Master, mind a suppliedair Pressure For Mask rendelkezik ugyanezzel a funkcióval, ami figyelmezteti a felhasználót, ha a bemenő nyomás az üzemi nyomás alsó határértéke alá esik. A kompresszorról vagy levegővezeték-rendszerről közvetlenül szállított levegőnek higiénikusan tisztának kell lennie, és meg kell felelnie az EN 12021 szabványnak. Ha a levegő nem felel meg ennek a követelménynek, szerelje be a suppliedair Conditioner eszközt (suppliedair Conditioner) a suppliedair és a sűrítettlevegő-forrás közé!

A suppliedair Conditioner kimeneténél a levegő minősége megfelel az EN 12021 szabványnak, ha a 10. fejezetben megadott hőmérséklet-tartományon belül használatos, illetve a kompresszorból származó levegő megfelel az 1.1. fejezet követelményeinek. A suppliedair Conditioner eltávolítja az olajkódot, a szagokat és az aromákat. Két felhasználó csatlakoztatható a szűrőállomásra.

A suppliedair Conditioner nem távolítja el a szénmonoxidot (CO) vagy a széndioxidot (CO₂) a levegőből!!!

1.1. A kompresszorról szállított sűrített levegőre vonatkozó követelmények

- A suppliedair Conditioner csak olyan kompresszorra csatlakoztatható, ami 20–22 térf.% oxigénkoncentrációjú levegőt szállít. A széndioxid koncentrációja nem haladhatja meg az 500 ppm értéket, a szénmonoxid koncentrációja pedig nem haladhatja meg a 15 ppm értéket.
- A levegőben a víz maximális koncentrációja 50 mg/m³ lehet 1–20 MPa névleges nyomásnál. A szállított levegő páratartalmát szabályozni kell a készülék fagyás elleni védelme érdekében.

2. A használat korlátai

A rendszer használata előtt a felhasználónak teljes mértékben meg kell ismernie a munkahelyen fennálló lehetséges kockázatokat, és el kell sajátítania az egyéni védőfelszerelések biztonságos használatát. Bármilyen kétely esetén kérjük, forduljon a gyártóhoz vagy a forgalmazójához. A Suppliedair rendszereket kizárólag a jelen kézikönyvben felsorolt fejjel együtt kell használni. Ezért olvassa el ezt a kézikönyvet a mellékelt fejedő kézikönyvével együtt.

Olvassa el figyelmesen ezt a kézikönyvet, és kövesse az utasításait!!!

- A felhasználónak teljes mértékben meg kell értenie az utasításokat.
- Ha fárasztó munka során a felhasználó légzése túlságosan felerősödik, a csuklyán belüli pozitív nyomás visszaeshet, és a védelmi tényező csökkenését okozhatja.
- Tilos az oxigéndús levegő használata a suppliedair rendszerben a robbanásveszély miatt.
- A rendszer kizárólag olyan környezetben használható, ahol kicsi a táptömlő sérülésének a valószínűsége, és a felhasználó mozgása nem korlátozott.
- Ha a suppliedair készüléken kívül egy másik tartozék (pl. szórópisztoly) van csatlakoztatva a sűrítettlevegő-ellátásra, a felhasználónak meg kell róla győződnie, hogy elegendő levegőáramlás biztosított-e a csuklya felé a tartozék maximális levegőfogyasztása mellett is.
- Ha a készülék magas hőmérsékletű környezetekben használatos, a táptömlőnek ellenállónak kell lennie az

ilyen hatások ellen.

- Tilos a készüléket robbanásveszélyes környezetben használni.
- A készülék minden egyes használata előtt ellenőrizze, hogy a levegőáramlás nagyobb-e, mint a műszaki paraméterekben meghatározott minimális érték.
- Ha a készülék bármilyen ok miatt nem szállítja tovább a levegőt, a felhasználónak azonnal el kell hagynia a szennyezett területet.
- Hegesztő fejpajzs, biztonsági sisak vagy maszk egyidejű használata esetén a készülék nem javasolt olyan felhasználók számára, akiknek a szakálla vagy hosszú haja a légzési zónába nyúlik.
- Figyeljen a levegőellátás magasabb CO₂ koncentrációjára, ami akkor fordulhat elő, ha a kompresszor nem működik megfelelően, amikor a kenőolaj néha megég a magas hőmérséklet miatt.
- A szállított levegő nyomásának 400 és 1000 kPa között kell lennie.
- A levegőforrást biztonsági szeleppel kell ellátni annak érdekében, hogy a bemenő nyomást ne lehessen túllépni.
- A tápnyomás-tömlők a munkahelyen kizárólag olyan területeken helyezhetők el, ahol nem sérülhetnek meg.
- A suppliedair és suppliedair Conditioner 4090.050 és 4090.051 rendelési számú nyomótömlői nem antisztatikusak, és 70 °C az a maximális hőmérséklet, aminek képesek ellenállni.
- A sűrített levegő-elosztásról vagy a suppliedair Conditioner eszközről a készülékre csatlakozó nyomótömlő maximális hossza nem haladhatja meg a 10 m-t; ez csak az 1A–4A védelmi szintű termékek kombinációira vonatkozik. Az 1B–4B kategóriába tartozó termékek kombinációi esetén a táptömlő hossza korlátlan.
- A javasolt használati hőmérséklet-tartomány 10–40 °C; alacsonyabb hőmérsékletek esetén a levegőellátású védőcsuklya vagy -maszk használata kellemetlen lehet.
- A suppliedair esetén EN 12021 szerinti lélegezhető levegőt kell biztosítani.
- A suppliedair a kézikönyv borítóján, az ábrás mellékleten látható fejrész típusokkal kombinálható. Ezen látható a megfelelő kombinációk besorolása is.
- A fejrészekre vonatkozó információk a suppliedair fejrészek használatára vonatkozó utasításokban található.
- suppliedair For Mask használata esetén megfelelő, (a környező szennyezőanyagoktól függően) 50 02 48 vagy 50 02 68 kétszoros szűrőt kell behelyezni a készülék és a maszk közé. Ez a koncepció biztonságos légzést tesz lehetővé esetleges evakuálás során, amikor a nyomásforrás működése leáll.

Ha a kézikönyvben megadott bármely elvet nem követik, a garancia érvénytelenné és semmissé válik!

3. Kicsomagolás/szerelés/használat és funkciók

3.1. A suppliedair kicsomagolása

Ellenőrizze, hogy a csomag hiánytalan-e, és hogy nem történt-e sérülés a szállítás során.

A suppliedair (4090.000), suppliedair (4090.010) tartalma:

suppliedair készülék	1 db
Szija a készülékhez	1 db
Légtömlő	1 db
Levegőáramlás jelző	1 db
Használati kézikönyv	1 db

A suppliedair Conditioner (4090.100) tartalma:

suppliedair Conditioner készülék	1 db
Készülékállvány	1 db
Csavarok a készülék állványhoz csavarásához	2 db
Tömítés	4 db
Használati útmutató	1 db

3.2. A suppliedair Conditioner (4090.100) szerelése
Csavarozza a tartályt (suppliedair Conditioner) az állványra; az eljárásra vonatkozóan lásd az ábrás mellékletet.

3.3. Szerelés – suppliedair

- Ellenőrizze, hogy minden komponens megfelelő állapotban van-e, tehát nincsenek rajta látható sérülések.
- Csatlakoztassa a suppliedair Conditioner eszközt a sűrítettlevegő-elosztórendszere vagy egyenesen egy kompresszorra. Ha a suppliedair Conditioner nem használatos, a sűrítettlevegő-ellátást egyenesen a suppliedair (Flow Master/For Mask) eszközre kell csatlakoztatni.
- Helyezze fel a készüléket a szalagra, és csatlakoztassa rá a nyomótömlőt.
- Gyorskapcsoló használatával csatlakoztassa a nyomótömlőt a sűrítettlevegő-forrásról a suppliedair készülékre.

4. Használat előtt

4.1. Ellenőrzés használat előtt

Minden egyes használat előtt ellenőrizze:

- hogy az egyes részekben, különösen a levegőtömlőn és a tömítőelemeken nincsenek-e látható sérülések,
- hogy a tömlő megfelelően csatlakozik-e a készülékre és a fejrész csatlakozóra,
- hogy az elosztórendszerben a levegőnyomás a 400–1000 kPa tartományban van-e mind a suppliedair, mind a For Mask esetében, illetve a 300–1000 kPa tartományban a suppliedair készülék esetén, a 4.2 fejezet szerinti levegőáramlás – a megengedett legkisebb áramlási sebesség 170 l/perc-e, hogy továbbítódik-e levegő a fejrésztől.

4.2. Levegőáramlási teszt (suppliedair)

Az összes suppliedair készülék 170 l/perc levegőáramlásra van előre beállítva. A levegőáramlás mérésekor kövesse az áramlásjelzőhöz mellékelt kézikönyvben megadott utasításokat. Ha az áramlási sebesség eltér, az alábbiak szerint folytassa:

1. Húzza meg az ellenőrző gombot, ekkor kattantást fog hallani (lásd az ábrás mellékletet).
2. Az optimális levegőáramlás beállításához forgassa balra az ellenőrző gombot (lásd az ábrás mellékletet). A levegőáramlás ellenőrzéséhez áramlásjelzőt csatlakoztathat.
3. Nyomja meg az ellenőrző gombot, ekkor kattantást fog hallani (lásd az ábrás mellékletet).

VIGYÁZAT! A levegőáramlás nem eshet 160 l/perc alá!

5. Karbantartás és tisztítás

suppliedair

Valahányszor befejezi a munkát, ajánlatos megtisztítani a suppliedair készüléket, ellenőrizni az egyes részeket, illetve kicserélni a sérülteket.

- A tisztítást jól szellőző helyiségben kell elvégezni. Kerülje a készülék és a tartozékok egyes részeire lerakódott káros por belégzését!
- Tilos oldószereket vagy súrolóanyagokat tartalmazó tisztítószeret használni. Általános tisztítószer javasoltak.
- A levegőtömlő tiszta vízzel öblíthető.
- Használjon nedves törölkendőt a tisztításhoz. Az egyes részeket szárazra kell törölni tisztítás után.

suppliedair Conditioner

- Hetente egyszer eressze le a kondenzátumot a tartályfenékből a fenéken, oldalt elhelyezett leeresztőszelep használatával. E művelet előtt javasolt leválasztani a készüléket a sűrítettlevegő-ellátásról.
- Három havonta legalább egyszer cserélje a szűrőt. Ennyi idő után vírusok és baktériumok szaporodhatnak el a készülék szűrőjében, és rendszeres használat esetében a szagokat eltávolító aktív szén elnyelési kapacitása kimerülhet (ha a suppliedair Conditioner eszközből távozó levegőnek bármilyen szaga van, azonnal cserélje ki a szűrőt).
- A szűrő cseréjekor tisztítsa ki a tartály belső részét száraz törölkendővel és általános tisztítószerrel.

A suppliedair Conditioner szűrő cseréje(lásd az ábrás mellékletet)

- Csavarja le a suppliedair Conditioner tartály felső részét (6 imbuszcsonvar).

- Távolítsa el a szennyezett szűrőt, törölje ki a tartály belsejét.
- Ellenőrizze a gumitömítés állapotát a fedélen. Ha sérült a tömítés, cserélje ki.
- Helyezzen be egy új szűrőt, tegye fel a tartályfedelelet, és csavarozza vissza.
- Ellenőrizze a tartály szivárgását. Ha a tartály nem zár teljesen, húzza meg a fedelet rögzítő összes csavart.

6. Tárolás

A suppliedair rendszerek valamennyi komponensét -10 °C és 55 °C közötti hőmérsékletű és 20% és 80% közötti relatív páratartalmú helyiségekben kell tárolni. Zárt tartályokban a tárolási idő max. 2 év.

7. Garancia

A gyártási hibákra vonatkozó garancia 12 hónap a vevőnek történő eladás napjától számítva. Az eladó szervezet-hez kell benyújtani az igényt és az eladás bizonyítékát (számla vagy szállítólevél).

A garancia nem vonatkozik a szűrő megkésett cseréjére, illetve a tisztítás vagy fűvás során megsérült szűrő használata miatt bekövetkező hibákra.

8. Lehetséges okok

Ha bármilyen hiba fordul elő, pl. hirtelen csökken vagy nő a levegőellátás, először a felhasználónak el kell hagynia a munkahelyet, majdellenőrizni kell az alábbiakat:

- A készülék megfelelő beszerelése.
- A szűrő állapota a suppliedair Conditioner eszközben.
- A tömlő épsége.
- A suppliedair/suppliedair/suppliedair For Mask eszközben a hangtompító dugulása.
- A védőcsuklyán vagy -maszkon a csúszógyűrűs tömítés megfelelő állapota.

A KÉSZÜLÉK NEM SZÁLLÍT ELEGENDŐ MENNYISÉGŰ LEVEGŐT	
Lehetséges ok	javaslat
A levegőtömlő vagy a levegőcső eldugult.	Ellenőrizze, és távolítsa el az esetleges akadályt.
Levegő szivárog ki.	Ellenőrizze az összes tömítőelemet és csatlakozást; ellenőrizze, hogy a tömlő nem sérült és nem szivárog-e.
A hangtompító eltömődött.	Cserélje ki a hangtompítót a suppliedair eszközben.
A suppliedair Conditioner eszközben a szűrő eltömődött.	Cserélje ki a szűrőt.

A KÉSZÜLÉK EGYÁLTALÁN NEM MŰKÖDIK	
Lehetséges ok	javaslat
Sűrítettlevégő-ellátási hiba. Tömlő sérülése.	Ellenőrizze a sűrítettlevégő-forrást.
	Ellenőrizze, hogy a csatlakozótömlők nem sérültek-e.
	Küldje a készüléket engedélyezett szervizközpontba.

9. Műszaki adatok

supplédair	4090.000	4090.010
Maximális levegőáramlás	160 lpm	
Maximális levegőáramlás	250 lpm	
Készülék tömege	280 g	
Bemeneti csatlakozó	Kompatibilis a 25-ös és 26-os sorozatú RECTUS és CEJN320 eszközzel	G1 1/4"
Kimeneti csatlakozó	CA40x1/7"	
Készülék zajszintje	max. 70 dB	
Derékméret	60 – 150 cm	
Tápnomás tartomány	4 – 10 bar (4 – 10 bar (400 – 1000 kPa))	
Üzemi hőmérséklet-tartomány	+10 ... +40 °C	
Munkahelyi levegő páratartalom tartomány	20%–80% Rh	
Tanúsítás	EN 14594 3A osztály	

supplédair Conditioner	
Maximális levegőáramlás	500 l/perc
Tömeg szűrő nélkül	6300 g
Tömeg szűrővel	6800 g
Bemeneti csatlakozó	Kompatibilis a 25-ös és 26-os sorozatú RECTUS és CEJN320 eszközzel.
Kimeneti csatlakozó	Kompatibilis a 25-ös és 26-os sorozatú RECTUS és CEJN320 eszközzel.
Javasolt üzemi hőmérséklet-tartomány	0 ... +40 °C
Javasolt munkahelyi levegő páratartalom tartomány	20%–80% Rh
Tanúsítás	Megfelel az EN 12021 szabványnak, a TP-610050-1 követelményeinek.

10. Jóváhagyás, tanúsítás

A supplédair Pressure sűrítettlevegő-vezetékrendszerek az EN 14594:2005 európai szabvány szerint lettek bevizsgálva, és engedélyezték a supplédair védőcsuklyákkal vagy supplédair védőmaszkokkal való használatukat. A gyártónak jóvá kell hagynia a használt rendszer valamennyi részét, és a jelen használati kézikönyvben megadott utasításoknak megfelelően kell használni őket.

CE vizsgálatra bejelentett szerv:

Výzkumný ústav bezpečnosti práce, v.v.i. – ZL
Testing Laboratory No. 1024, Jeruzalémská 1283/9, 110 00 Praha 1
Notified Body 1024

Megfelelőségi nyilatkozat elérhető a következő címen:
<https://www.optrel.com/service/downloads/>



11. Cserealkatrészek listája

suppliedair Pressure (Flow Master)	
Rendelészám:	Megnevezés:
4090.000	suppliedair + szíj
4090.010	suppliedair + kényelmi szíj
4090.050	Standard 10 m-es tömlő suppliedair -hoz
4090.052	Antisztatikus 10 m-es tömlő suppliedair -hoz
4090.051	Spirális 10 m-es tömlő suppliedair -hoz, mechanikusan ellenálló – mód.
4090.020	Hangtompító
4090.030	Kényelmi bélelt szíj
4090.040	Levegőáramlás-jelző

suppliedair Conditioner	
Rendelészám:	Megnevezés:
4090.100	suppliedair Conditioner
4090.110	Szűrő suppliedair Conditioner eszközhöz

12. Besorolás

suppliedair kombinációk sisakokkal és motorháztetőék	Besorolás
clearmaxx hardhat	1B
clearmaxx, e684 hardhat, crystal2.0 hardhat, panoramaxx2.5 hardhat, panoramaxx CLT hardhat, panoramaxx quattro hardhat, e640 hardhat, e650 hardhat, e670 hardhat, e680 hardhat, vegaview2.5 hardhat	2B
e684, crystal2.0, panoramaxx2.5, panoramaxx CLT, panoramaxx quattro, e640, e650, e670, e680, vegaview2.5, liteflip autopilot, liteflip passive, liteflip autopilot hardhat, liteflip passive hardhat	3B
softhood long, softhood short	3A

Önemli

Kullanım öncesinde lütfen kendi güvenliğiniz için aşağıdaki talimatları okuyunuz ve öğreniniz. Herhangi bir sorunuz varsa, lütfen imalatçı veya ürünü satın aldığınız temsilicisi ile irtibata geçiniz. Kullanım kılavuzunu ileride başvurmak için saklayınız. Basınçlı hava hattı sistemi sadece bu kılavuzda belirlenen amaçlar dahilinde kullanılmalıdır.

1. Giriş

Basınçlı hava hattı sistemi suppliedair Pressure, solunum alanına kesintisiz olarak filtrelenmiş hava besleyen kişisel solunum koruma sistemleridir (kesintisiz akımlı basınçlı hava solunum aparatları).

Hava, basınçlı hava kaynağından alınır (kompresör veya hava hattı sistemi) ve hava hortumu vasıtasıyla koruyucu maske veya başlığa verilecek hava akışını kontrol etmekte kullanılan suppliedair sistemine iletilir. Basınçlandırma, zararlı maddelerin solunum bölgesine girmesini engeller. Aynı zamanda bu hafif basınç, maskeyi taşıyan kişiye uzun süre kullanımda dahi konfor sağlar, zira nefes alırken filtre direncine karşı mücadele etmesi gerekmez.

suppliedair Pressure yanı sıra iki diğer birim suppliedair Pressure Flow Master ve suppliedair Pressure For Mask da giriş basıncını kontrol etmek için bir basınç ölçer ve basıncın işletim limitinin altına düştüğü durumlarda kullanıcıyı uyaran bir ikaz sistemi ile donatılmıştır.

Kompresörden veya hava hat sisteminden beslenen hava hijyenik açıdan temiz ve EN 12021 standardına uygun olmalıdır. Hava bu gereksinimleri yerine getiriyorsa, suppliedair ile basınçlı hava kaynağı arasında bir suppliedair Conditioner (Luftaufbereitung)!

suppliedair Conditioner çıkışında hava kalitesi, Madde 10'da belirtilen sıcaklık limitleri dahilinde kullanıldıkça ve kompresörden gelen hava Madde 1.1 gereksinimlerini yerine getirdikçe, EN 12021 standardına uygundur. suppliedair Conditioner tüm yağ sisini, koku ve tatları giderir. Filtre istasyonuna iki kullanıcı bağlanabilir.

suppliedair Koşullandırıcı havadan karbonmonoksit (CO) ve karbondiyoksiti (CO₂) gidermez!!!

1.1. Kompresörden Beslenen Basınçlı Hava Gereksinimleri

- suppliedair Conditioner ancak %20 ila %22 oksijen konsantrasyonunda hava besleyen bir kompresöre bağlanabilir. Karbondiyoksit konsantrasyonu 500 ppm değerini, karbonmonoksit konsantrasyonu 15 ppm değerini aşmamalıdır.
- Havanın içerdiği azami su konsantrasyonu, 1 ila 20 MPa nominal basınçta 50 mg/m³ değerindedir. Beslenen havanın nemliliği, birimin donmasını engellemek için kontrollü olmalıdır.

2. Kullanım için İkazlar ve Kısıtlamalar

Sistemi kullanmadan önce çalışma yerindeki riskler hakkında bilgi sahibi olunmalı ve kişisel koruma ekipmanının güvenli kullanımı konusunda eğitim alınmalıdır. Herhangi bir belirsizlik durumunda lütfen imalatçı veya yerel temsilicisi ile irtibata geçiniz. Suppliedair sistemleri sadece bu kılavuzda listelenen başlıklarla birlikte kullanılmalıdır. Bu nedenle, bu el kitabını suppliedair Headtop'un kullanım kılavuzuyla birlikte okuyun.

Bu kılavuzu dikkatle okuyunuz ve içerdiği talimatları yerine getiriniz!!!

- Kullanıcının talimatları bütünüyle kavraması şarttır.
- Yorucu işler esnasında kullanıcının solunumu fazla yoğunlaşırsa, başlığın içindeki pozitif basınç düşebilir ve koruma faktörünün azalmasına yol açabilir.
- suppliedair sisteminde oksijen ile zenginleştirilmiş hava ve oksijen kullanımı patlama riski nedeniyle yasaktır.
- Sistem ancak besleme hortumuna hasar oluşma olasılığının düşük olduğu ve kullanıcının hareketinin kısıtlanmamış olduğu ortamlarda kullanılabilir.
- suppliedair haricinde başka bir aksesuar basınçlı hava kaynağına bağlıysa (örn. sprej tabancası), kullanıcı, diğer cihazın azami hava kullanımında dahi başlığa yeterli hava akışının sağlandığından emin olmalıdır.
- Birim yüksek sıcaklıktaki ortamlarda kullanılıyorsa, besleme hortumu bu etkilere dayanıklı olmalıdır.

- Patlayıcı ortamlarda kullanılması yasaktır.
- Her kullanım öncesinde, hava akışının teknik parametrelerde belirtilen asgari değerin üzerinde olduğunu kontrol ediniz.
- Cihaz herhangi bir sebepten dolayı hava beslemeyi keserse, kullanıcı kontamine bölgeyi derhal terketmelidir.
- Birimin kaynak kaskı, emniyet kaskı veya maske ile kombinasyonda solunum bölgesine ulaşan sakal veya uzun saç ile kullanılması tavsiye edilmez.
- Kompresör düzgün çalışmadığında yağın yüksek sıcaklıklar sebebiyle yanması sonucu oluşabilecek yüksek CO₂ konsantrasyonuna dikkat ediniz.
- Besleme havası basıncı 400 - 1000 kPa arasında olmalıdır.
- Hava kaynağı basıncın aşılmayacağını garanti edecek bir emniyet valfi ile donatılmış olmalıdır.
- Besleme hortumları çalışma yerinde hasar görmeyecek şekilde yerleştirilmelidir.
- suppliedair ve suppliedair Koşullandırıcı için No. 4090.050 ve 4090.051 basınç hortumları antistatik değildir ve hasar görmeden korumayı sağladıkları azami sıcaklık 70 °C'dır.
- Basıncılı hava dağıtım sistemi veya suppliedair Conditioner azami hortum uzunluğu 10 m.'den uzun olmamalıdır; bu, sadece 1A - 4A koruma sınıfında ürünlerin kombinasyonu için geçerlidir. 1B-4B sınıfında ürünlerin kombinasyonunda hortum uzunluğu sınırsızdır.
- Tavsiye edilen kullanım sıcaklıkları 10 ile 40 °C arasındadır, daha düşük ısılarda hava beslemeli koruyucu başlık veya maske kullanımı nahoş olabilir.
- suppliedair EN 12021 uyarınca solunabilir hava tedarik edilmelidir.
- suppliedair, kılavuzun kapağındaki resimli eklerde gösterilen başlık tipleri ile kombine edilebilir. Resimlerde ayrıca ilgili kombinasyonların sınıfları belirtilmiştir.
- Başlık parçaları hakkında bilgi, suppliedair başlık parçaları kılavuzlarında belirtilmiştir.
- suppliedair For Mask ile çevredeki kirlenici maddelere göre birim ve maske arasında uygun 50 02 48 veya 50 02 68 filtre kullanılmalıdır Bu konsept, basınç kaynağı bozulduğunda tahliye esnasında güvenli şekilde nefes almanızı sağlar.

Bu kılavuzda belirtilen prensiplerin herhangi biri çalışmıyorsa, garanti geçersiz olur!

3. Ambalajı Açma / Montaj / Kullanım ve İşlevler

3.1. suppliedair Ambalajının Açılması

Tüm parçaların tam olduğunu ve nakliye esnasında hasar oluşmadığını kontrol ediniz.

suppliedair (4090.000), suppliedair (4090.010) içerikleri:

suppliedair birimi	1 adet
Birimle kullanılan kemer	1 adet
Hava hortumu	1 adet
Hava akışı göstergesi	1 adet
Kullanım kılavuzu	1 adet

suppliedair Conditioner (4090.100) içerikleri:

suppliedair Conditioner birimi	1 adet
Birimi standa	1 adet
Birimi standa bağlamak için civatalar	2 adet
Conta	4 adet
Kullanım Kılavuzu	1 adet

3.2. suppliedair Conditioner (4090.100) montajı

Konteyneri (suppliedair Conditioner) standı vidalayınız, iş adımları için bkz. resim eki 1A.

3.3. Montaj - suppliedair

- Tüm parçaların iyi durumda ve hasarsız olduğunu kontrol ediniz.
- suppliedair Koşullandırıcıyı basınçlı hava dağıtım sistemine veya doğrudan kompresöre bağlayınız. suppliedair Basınç Koşullandırıcı kullanılmıyorsa, basınçlı hava doğrudan suppliedair Basınç (Akış Master/Maske) birimine bağlanır.
- Sadece imalatçı tarafından verilen ve standartlara uygun orijinal hortumların kullanılması tavsiye edilir.
- Birimi kemerinize bağlayınız ve basınç hortumunu takınız.
- Hızlı bağlantı kaplinleri kullanarak basınçlı hava kaynağından gelen basınç hortumunu suppliedair Basınç birimine bağlayınız.

4. Kullanım Öncesinde

4.1. Kullanım öncesi kontrol

Her kullanım öncesinde şu kontrolleri yapınız:

- Münferit parçalar, özellikle hava hortumu ve contalarda görülebilir hasar olmadığı
- Hortumun birime ve başlık konektörüne doğru şekilde bağlanmış olduğu.
- Dağıtım sisteminde hava basıncının suppliedair ve For Mask 400 - 1000 kPa;
- Hava akışının 4.2. no'lu maddeye uygun olduğu. Müsaade edilen asgari akış değeri 160 lpm,
- Başlık bölümünden hava beslendiği.

4.2. Hava akışı testi (suppliedair)

Tüm suppliedair birimleri 160 lpm hava akışı değerine ayarlıdır. Hava akışını ölçerken, akış göstergesi kılavuzundaki talimatları yerine getiriniz. Akış değeri farklıysa, aşağıdaki adımları izleyiniz:

1. Kontrol butonunu çekiniz, bir klik sesi duyacaksınız. Bkz. resimli ek.
2. Optimum hava akışını ayarlamak için kontrol butonunu saat yönünde veya saat yönüne karşı çeviriniz (hava akışını kontrol etmek için akış göstergesini bağlayınız). Bkz. resimli ek.
3. Kontrol butonunu bastırınız, bir klik sesi duyacaksınız. Bkz. resimli ek.

UYARI! Hava akışı 160 litre/dakika değerinin altına düşmemelidir!

5. Bakım ve Temizleme

suppliedair

İşiniz bittikten sonra suppliedair Basınç biriminin temizlenmesi, parçaların kontrol edilmesi ve gerekirse değiştirilmesi tavsiye edilir.

- Temizleme iyi havalandırılan bir odada yapılmalıdır. Birimin münferit parçaları ve aksesuarlardaki zararlı tozu solumamaya dikkat ediniz!
- Çözücü veya aşındırıcı içeren temizleme maddelerinin kullanılması yasaktır. Normal deterjanlar tavsiye edilir.
- Hava hortumu temiz su ile yıkanabilir.
- Temizleme için nemli bez kullanınız. Her parça temizleme sonrasında kurutulmalıdır.

suppliedair Conditioner

- Haftada bir alt kısımdaki tahliye vanası yardımıyla konteynerden yoğuşma suyunu boşaltınız. Bu işlem öncesinde birimin basınçlı hava kaynağından ayrılması tavsiye edilir.
- Filtreyi en az üç ayda bir değiştiriniz. Bu süre sonrasında birim filtresinde virüs ve bakteriler çoğalabilir ve düzenli kullanılmışsa kokuları gideren aktif karbonun soğurma kapasitesi tükenebilir (Koşullandırıcıdan çıkan hava herhangi bir kokuya sahipse filtreyi hemen değiştiriniz).

- Filtreyi deęiřtirirken konteynerin iini kuru bir bez veya deterjan ile temizleyiniz.

suppliedair Kořullandırıcı filtresi yedeęi (Bkz. Resimli Ek)

- suppliedair Conditioner konteynerinin st kısmını aınız (6 inbus civata).
- Kirlı filtreyi ıkarınız, konteynerin iini siliniz.
- st kapaęın iindeki kauuk contanın durumunu kontrol ediniz. Conta hasarlıysa deęiřtiriniz.
- Yeni bir filtre takınız, konteyner kapaęını takınız ve vidalayınız.
- Konteynerde kaak olmadıęını kontrol ediniz. Konteynerde sızıntı varsa, st kapaęı tutan civataları sıkınız.

6. Depolama

suppliedair sistemlerinin tm paraları -10 C ila 55 C ısıda ve %20 ila %80 nispi hava nemlilięi olan odalarda depolanmalıdır. Orjinal kutusunda depolama sresi en fazla 2 yıldır.

7. Garanti

İmalat hataları iin garanti sresi mřteriyeye satıř tarihinden itibaren 12 aydır. Satıř organizasyonuna bařvuru yapılmalı ve satıř tasdięi (fatura veya irsaliye) arz edilmelidir.

Ge deęiřtirilen filtre veya temizleme veya hava ile temizleme sonucu hasar grmř filtre kullanımı sonucu oluřan arızalar garantiye dahil deęildir.

8. Olası Arızalar

Herhangi bir hata, ani hava besleme artıřı veya dřř durumunda kullanıcı nce kontamine alıřma alanını terk etmeli, sonra ařaęıdakileri kontrol etmelidir:

- Birimin doęru řekilde monte edilmiř olduęu.
- suppliedair Conditioner filtrenin durumu.
- Hava hortumunun hasarsız olduęu.
- suppliedair grlt kesicinin tıklalı olmadıęı.
- Koruyucu bařlık veya maskedeki contanın iyi durumda olduęu.

BİRİM YETERLİ HAVA BESLEMİYOR	
Olası sebebi	Tavsiye
Hava hortumu veya hava kanalı tıklalı.	Muayene ediniz ve engeli ortadan kaldırınız.
Hava sızıntısı.	Tm contaları ve baęlantıları kontrol ediniz, hortum hasarsız ve sızdırmaz olmalıdır.
Grlt kesici tıklalı.	suppliedair grlt kesiciyi deęiřtiriniz.
suppliedair Conditioner filtresi tıklalı.	Filtreyi deęiřtiriniz.

BİRİM ALIřMIYOR	
Olası sebebi	Tavsiye
Basınlı hava besleme hatası. Hortumda hasar.	Basın hava kaynaęını kontrol ediniz.
	Baęlantı hortumlarının hasarsız olduęunu kontrol ediniz.
	Birimi yetkili servise gnderiniz.

9. Teknik Veriler

suppliedair	4090.000	4090.010
Asgari hava akışı	160 lpm	
Azami hava akışı	250 lpm	
Birim ağırlığı	280 g	
Giriş bağlantısı	RECTUS series 25, 26 ve CEJN320 ile uyumludur	G1 1/4"
Çıkış bağlantısı	CA40x1/7"	
Birimin gürültü seviyesi	max. 70 dB	
Bel ölçüsü	60 – 150 cm	
Besleme basıncı kapsamı	4 – 10 bar (4 – 10 bar (400 – 1000 kPa))	
Çalışma esnasında sıcaklık	+10 ila +40 °C	
Çalışma yerinde hava nemliliği	%20 ila %80 Rh	
Sertifika	EN 14594 Sınıf 3A	

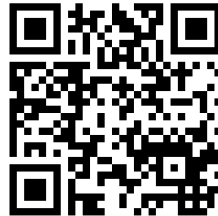
suppliedair Conditioner	
Azami hava akışı	500 l/min
Filtresiz ağırlık	6 300 g
Filtre dahil ağırlık	6 800 g
Giriş bağlantısı	RECTUS series 25, 26 ve CEJN320 ile uyumludur
Çıkış bağlantısı	RECTUS series 25, 26 ve CEJN320 ile uyumludur
Çalışma esnasında tavsiye edilen sıcaklık	0 ila +40 °C
Çalışma yerinde tavsiye edilen hava nemliliği	%20 ila %80 Rh
Sertifika	TP-610050-1 gereksinimleri yerine getirildiği takdirde EN 12021 standardına uygundur.

10. Onay, Sertifikalandırma

suppliedair Pressure basınçlı hava hat sistemleri EN 14594:2005 Avrupa standardı uyarınca suppliedair koruyucu başlıkları ve suppliedair koruyucu maskeleri ile kullanım için test edilmiş ve onaylanmıştır. Sistemin tüm parçaları imalatçı tarafından onaylanmış olmalı ve işbu belgede belirtilen talimatlar doğrultusunda kullanılmalıdır.

Onaylanmış test kuruluşu: Výzkumný ústav bezpečnosti práce, v.v.i. – ZL
Testing Laboratory No. 1024, Jeruzalémská 1283/9, 110 00 Praha 1
Notified Body 1024

Deklaration om överensstämmelse finns på:
<https://www.optrel.com/service/downloads/>



11. Yedek Parça Listesi

suppliedAir Pressure (Flow Master)	
Sipariş No.:	Tanım:
4090.000	suppliedair + kemer
4090.010	suppliedair + konforlu kemer
4090.050	suppliedair için standart 10 m hortum
4090.052	suppliedair için antistatik 10 m hortum
4090.051	suppliedair spiral hortum 10 m hortum, mekanik olarak mukavemetli
4090.020	Gürültü kesici
4090.030	Konforlu yastıklı kemer
4090.040	Hava akışı göstergesi

suppliedair Conditioner	
Sipariş No.:	Tanım:
4090.100	suppliedair Conditioner
4090.110	suppliedair Conditioner için filtre

12. Sınıflandırma

suppliedair ile kask kombinasyonları ve davlumbazlar	Sınıflandırma
clearmaxx hardhat	1B
clearmaxx, e684 hardhat, crystal2.0 hardhat, panoramaxx2.5 hardhat,, panoramaxx CLT hardhat, panoramaxx quattro hardhat, e640 hardhat, e650 hardhat, e670 hardhat, e680 hardhat, vegaview2.5 hardhat	2B
e684, crystal2.0, panoramaxx2.5, panoramaxx CLT, panoramaxx quattro, e640, e650, e670, e680, vegaview2.5, liteflip autopilot, liteflip passive, liteflip autopilot hardhat, liteflip passive hardhat	3B
softhood long, softhood short	3A

Важное примечание!

Пожалуйста, прочтите и запомните следующие инструкции перед использованием данного изделия в целях обеспечения собственной безопасности. В случае возникновения каких-либо вопросов свяжитесь с производителем или местным дистрибьютором.

Сохраните данное руководство для дальнейшего использования. Система подачи сжатого воздуха должна использоваться только для целей, указанных в данном руководстве.

1. Введение

Система подачи сжатого воздуха suppliedair Pressure представляет собой систему индивидуальной защиты органов дыхания (СИЗОД), основанную на принципе избыточного давления отфильтрованного воздуха, непрерывно подаваемого в зону дыхания (дыхательные аппараты с непрерывной подачей сжатого воздуха). Воздух подается от источника сжатого воздуха (компрессора или системы подачи сжатого воздуха) к системе suppliedair, которая обеспечивает возможность регулировки потока воздуха, подаваемого через шланг к защитной маске или капюшону. Избыточное давление предотвращает попадание загрязняющих веществ в зону дыхания. Это избыточное давление в то же время обеспечивает комфорт при использовании даже в течение длительных периодов эксплуатации, поскольку пользователю не приходится преодолевать сопротивление фильтра при дыхании.

suppliedair Pressure – не единственная система, оснащенная манометром для проверки текущего входного давления и предупреждающим свистком – suppliedair Pressure Flow Master и suppliedair Pressure For Mask также оснащены данной функцией, которая предупреждает пользователя при достижении нижнего предела рабочего давления на входе. Воздух, подаваемый непосредственно от компрессора или системы подачи сжатого воздуха, должен быть гигиенически чистым и соответствовать требованиям стандарта EN 12021. Если подаваемый воздух не соответствует предъявляемым требованиям, установите suppliedair Conditioner (Luftaufbereitung) между suppliedair и источником подачи сжатого воздуха!

Качество воздуха на выходе из suppliedair Conditioner соответствует требованиям стандарта EN 12021, если он используется в диапазоне температур, указанных в Главе 10, и воздух от компрессора соответствует требованиям, указанным в Главе 1.1. suppliedair Conditioner удаляет масляный туман и любые запахи. Один фильтрующий блок может одновременно использоваться двумя пользователями.

suppliedair Conditioner не удаляет угарный (CO) и углекислый газ (CO₂) из воздуха!!!

1.1. Требования к сжатому воздуху, подаваемому от компрессора

- suppliedair Conditioner может быть подключен к компрессору, который подает воздух с концентрацией кислорода от 20 до 22 % об. Концентрация углекислого газа не должна превышать 500 частей на миллион, а концентрация угарного газа – 15 частей на миллион.
- Концентрация воды в воздухе не должна превышать 50 мг/м³ при номинальном давлении от 1 до 20 МПа. Влажность подаваемого воздуха должна контролироваться в целях предотвращения замерзания устройства.

2. Эксплуатационные ограничения

Перед использованием данной системы пользователь должен полностью ознакомиться с возможными рисками на рабочем месте и быть полностью проинформированным о безопасном использовании средств индивидуальной защиты. В случае возникновения каких-либо сомнений свяжитесь с производителем или местным дистрибьютором. Системы suppliedair должны использоваться исключительно с изголовьем, указанным в данном руководстве. Поэтому следует прочитать данное руководство вместе с руководством пользователя защитного капюшона suppliedair.

Внимательно прочтите данное руководство и следуйте приведенным в нем инструкциям!!!

- Пользователь должен внимательно прочитать и полностью понять данные инструкции.
- Если дыхание пользователя становится слишком интенсивным во время напряженной работы, положительное давление внутри защитного капюшона может упасть, что приведет к уменьшению коэффициента защиты.
- Использование обогащенного кислородом воздуха и чистого кислорода в системе suppliedair запрещено из-за опасности взрыва.

- Данная система предназначена для использования только в средах с малой вероятностью повреждения подающего шланга и отсутствием ограничения движений пользователя.
- Если к источнику подачи сжатого воздуха помимо suppliedair подключается еще одно устройство (например, пистолет-распылитель), необходимо убедиться в подаче достаточного потока воздуха к защитному капюшону даже при максимальном расходе воздуха соответствующих дополнительных устройств.
- Если данное устройство используется в средах с высокой температурой, подающий шланг должен обладать надлежащей устойчивостью к соответствующим условиям рабочей среды.
- Запрещается использовать данное устройство во взрывоопасных средах.
- Перед каждым использованием устройства необходимо убедиться в том, что поток воздуха превышает минимальное значение, указанное в технических характеристиках.
- Если устройство прекращает подачу воздуха по какой-либо причине, следует немедленно покинуть загрязненную зону.
- При использовании в сочетании со сварочной маской, защитным шлемом или защитной маской устройство не рекомендуется для пользователей с бородой или длинными волосами, которые могут попасть в дыхательную зону.
- Следует остерегаться более высокой концентрации CO₂ в системе подачи воздуха, что может произойти, если компрессор не работает должным образом, когда смазочное масло горит из-за высокой температуры.
- Давление подаваемого воздуха должно находиться в диапазоне от 400 до 1000 кПа.
- Источник подачи сжатого воздуха должен быть оборудован предохранительным клапаном, лимитирующим давление на входе.
- Шланги подачи сжатого воздуха должны быть расположены только в таких местах рабочей зоны, в которых они надежно защищены от повреждений.
- Шланги подачи сжатого воздуха для suppliedair и suppliedair Conditioner, номер для заказа 4090.050 и 4090.051, не являются антистатическими, и максимальная температура, которую они могут выдерживать без повреждений, составляет 70 °C.
- Максимальная длина шланга подачи сжатого воздуха от распределительной системы или suppliedair Conditioner до устройства не должна превышать 10 м; это применимо только для комбинаций СИЗОД с уровнем защиты 1А–4А. Для комбинации СИЗОД с уровнем защиты 1В–4В длина подающего шланга не ограничена.
- Рекомендуемый температурный диапазон воздуха рабочей зоне составляет от 10 до 40 °C; при более низких температурах использование защитного капюшона или защитной маски с подачей воздуха может доставлять пользователю определенный дискомфорт.
- К suppliedair необходимо обеспечить подачу пригодного для дыхания воздуха в соответствии с требованиями стандарта EN 12021.
- suppliedair можно комбинировать с типами лицевой части СИЗОД, указанными в иллюстрированном приложении на обложке данного руководства. В нем также показан класс защиты соответствующих комбинаций.
- Информация о лицевой части приводится в инструкции по использованию лицевых частей СА.
- При использовании suppliedair For Mask необходимо поместить подходящий фильтр с двумя потоками 50 02 48 или 50 02 68 (в зависимости от типа загрязняющих веществ в окружающей среде) между устройством и защитной маской. Подобная конструкция обеспечивает надлежащую защиту во время возможной эвакуации при отказе источника подачи сжатого воздуха.

При несоблюдении принципов, изложенных в данном руководстве, гарантия становится недействительной!

3. Распаковка / сборка / использование и функции

3.1. Распаковка suppliedair

Проверьте комплектацию изделия и убедитесь в отсутствии повреждений, которые могли возникнуть во время транспортировки.

Комплект поставки suppliedair (4090.000), suppliedair (4090.010):

Устройство suppliedair	1 шт.
Пояс для крепления устройства	1 шт.
Воздушный шланг	1 шт.
Индикатор скорости воздушного потока	1 шт.
Руководство пользователя	1 шт.

Комплект поставки suppliedair Conditioner (4090.100):

Устройство suppliedair Conditioner	1 шт.
Стойка	1 шт.
Винты для крепления к стойке	2 шт.
Уплотнение	4 шт.
Руководство пользователя	1 шт.

3.2. Сборка suppliedair Conditioner (4090.100)

Прикрутите контейнер (suppliedair Conditioner) к стойке; надлежащая последовательность действий приводится в иллюстрированном приложении.

3.3. Сборка – suppliedair

- Убедитесь, что все компоненты находятся в надлежащем состоянии, т.е. без видимых повреждений.
- Подсоедините suppliedair Conditioner к системе распределения сжатого воздуха или непосредственно к компрессору. Если suppliedair Conditioner не используется, источник подачи сжатого воздуха подключается напрямую к suppliedair.
- Прикрепите устройство к поясу и подсоедините к нему шланг подачи сжатого воздуха.
- Подсоедините напорный шланг от источника подачи сжатого воздуха к suppliedair с помощью быстрого разъёмного соединения.

4. Перед использованием

4.1. Проверка перед использованием

Перед каждым использованием устройства следует убедиться:

- что отдельные части, в частности, шланг подачи сжатого воздуха и уплотнительные элементы, не имеют каких-либо видимых повреждений;
- что шланг надлежащим образом подсоединен к устройству и соответствующему разъему лицевой части;
- что давление в распределения воздуха находится в диапазоне от 400 до 1000 кПа – для suppliedair и For Mask – или в диапазоне от 300 до 1000 кПа – для устройства suppliedair;
- что поток воздуха соответствует требованиям, приведенным в Главе 4.2 – минимальная допустимая скорость потока составляет 170 л/мин;
- что воздух подается к лицевой части.

4.2. Измерение скорости потока воздуха (suppliedair)

suppliedair поставляется предварительно настроенным для подачи воздуха со скоростью 170 л/мин. При измерении скорости потока воздуха следуйте инструкциям, приведенным в руководстве пользователя, поставляемом с индикатором скорости воздушного потока. Если скорость потока отличается от указанных значений, выполните следующие действия:

1. Потяните ручку управления, при этом должен раздаться щелчок (см. иллюстрированное приложение).
2. Поворачивайте ручку управления против часовой стрелки, чтобы установить оптимальный поток воздуха (см. иллюстрированное приложение). Для проверки скорости подачи воздуха можно подключить индикатор скорости воздушного потока.
3. Нажмите на регулятор управления, при этом должен раздаться щелчок (см. иллюстрированное приложение).

ПРЕДУПРЕЖДЕНИЕ! Воздушный поток не должен опускаться ниже 160 л/мин!

5. Обслуживание и чистка

suppliedair

После завершения работы рекомендуется выполнить очистку устройства suppliedair, проверить состояние всех компонентов и заменить поврежденные части.

- Очистка должна осуществляться в хорошо вентилируемом помещении. Следует избегать вдыхания пыли, осевшей на отдельные компоненты устройства и дополнительных принадлежностей!
- Запрещается использовать чистящие средства, содержащие растворители или абразивные материалы. Рекомендуется использовать обычные моющие средства.
- Шланг подачи сжатого воздуха можно промыть чистой водой.
- Используйте влажную ткань для чистки устройства и дополнительных принадлежностей. После очистки следует насухо вытереть все компоненты системы.

suppliedair Conditioner

- Раз в неделю необходимо сливать конденсат из контейнера с помощью сливного клапана, расположенного в нижней части. Перед выполнением данной операции рекомендуется отключить устройство от источника подачи сжатого воздуха.
- Замену фильтра следует производить не реже одного раза в три месяца. По истечении этого срока в фильтре могут размножиться вирусы и бактерии, помимо этого при регулярном использовании фильтра поглощающая способность активированного угля может быть исчерпана (если воздух, отводимый из suppliedair Conditioner имеет какой-либо запах, фильтр подлежит немедленной замене).
- При замене фильтра следует очистить внутреннюю часть контейнера сухой тканью и обычным моющим средством.

Замена фильтра suppliedair Conditioner (см. иллюстрированное приложение)

- Снимите верхнюю крышку контейнера suppliedair Conditioner (крепится с помощью 6 винтов с цилиндрической головкой и шестигранным углублением).
- Удалите загрязненный фильтр, протрите внутреннюю поверхность контейнера.
- Проверьте состояние резинового уплотнения верхней крышки. Если уплотнение повреждено, замените его.
- Установить новый фильтр, установите крышку контейнера на место и прикрутите ее с помощью соответствующих винтов.
- Проверьте контейнер на предмет утечки. Если контейнер не герметичен, затяните все винты, которые крепят верхнюю крышку.

6. Хранение

Все компоненты системы suppliedair должны храниться в помещении при температуре от 0 до 40 °C и относительной влажности воздуха от 20 до 80 %. Срок хранения в закрытом контейнере составляет не более 2 лет.

7. Гарантия

Гарантия на производственные дефекты составляет 12 месяцев с даты продажи. Претензии предъявляются в адрес организации, осуществившей продажу, при наличии подтверждающего документа (счета-фактуры или товарной накладной).

Гарантия не распространяется, в частности, на дефекты, вызванные несвоевременной заменой фильтра или использованием фильтра, поврежденного при очистке или продувке.

8. Возможные неисправности

При возникновении какой-либо неисправности, например, при внезапном снижении или увеличении подачи воздуха, в первую очередь необходимо покинуть рабочую зону, а затем убедиться:

- что устройство собрано надлежащим образом;
- что фильтр suppliedair Conditioner находится в надлежащем рабочем состоянии;
- что шланг подачи сжатого воздуха не поврежден;
- что шумоподавитель suppliedair не засорен;
- что уплотнение защитного шлема или маски находится в надлежащем состоянии.

УСТРОЙСТВО НЕ ПОДАЕТ ДОСТАТОЧНОЕ КОЛИЧЕСТВО ВОЗДУХА	
Возможная причина	Рекомендации
Воздушный шланг или воздуховод заблокирован.	Проверить и удалить любые возможное препятствия.
Воздух выходит через неплотности.	Проверить все уплотнительные элементы и соединения; проверить шланг на наличие повреждений и утечек.
Шумоподавитель засорен.	Заменить шумоподавитель в suppliedair.
Фильтр в suppliedair Conditioner засорен.	Заменить фильтр.

УСТРОЙСТВО НЕ РАБОТАЕТ	
Возможная причина	Рекомендации
Сбой подачи сжатого воздуха. Шланг поврежден.	Проверить источник подачи сжатого воздуха.
	Убедиться, что соединительные шланги не повреждены.
	Отправить устройство в сервисный центр.

9. Технические характеристики

suppliedair	4090.000	4090.010
Минимальный поток воздуха	170 л/мин	
Максимальный поток воздуха	250 л/мин	
Вес устройства	280 г	
Входное соединение	Совместим с RECTUS серии 25, 26 и CEJN320	CA40x1/7"
Выходное соединение	CA40x1/7"	
Уровень звукового давления	61 дБ	
Размер талии	60–150 см	
Диапазон давления подаваемого воздуха	400–1000 кПа	
Диапазон температур на рабочем месте	от +10 до +40 °С	
Диапазон влажности воздуха на рабочем месте	от 20 до 80 % отн. влажности	
Сертификация	EN 14594, класс 3А	

suppliedair Conditioner	
Максимальный поток воздуха	500 л/мин
Вес без фильтра	6300 г
Вес с фильтром	6800 г
Входное соединение	Совместим с RECTUS серии 25, 26 и CEJN320.
Выходное соединение	Совместим с RECTUS серии 25, 26 и CEJN320.
Рекомендуемый диапазон температур на рабочем месте	от 0 до +40 °С
Рекомендуемый диапазон влажности воздуха на рабочем месте	от 20 до 80 % отн. влажности
Сертификация	Соответствует стандарту EN 12021 при условии соблюдения требований TP-610050-1.

10. Утверждение, сертификация

Системы подачи сжатого воздуха suppliedair Pressure испытаны и утверждены в соответствии с требованиями стандарта EN 14594:2005 для применения с защитными капюшонами suppliedair или защитными масками suppliedair. Все компоненты применяемой системы должны быть одобрены производителем и использоваться в соответствии с инструкциями, приведенными в данном руководстве пользователя.

Уполномоченный орган для проверки соответствия требованиям ЕС:

Výzkumný ústav bezpečnosti práce, v.v.i. – ZL

Испытательная лаборатория № 1024, Jeruzalémská 1283/9, 110 00 Praha 1
Notified Body 1024

Декларация соответствия доступна по адресу:
<https://www.optrel.com/service/downloads/>



11. Список запасных частей

suppliedair Pressure (Flow Master)	
Номер для заказа:	Описание:
4090.000	suppliedair + пояс
4090.010	suppliedair + пояс с подбивкой
4090.050	Стандартный шланг 10 м для suppliedair
4090.052	Антистатический шланг 10 м для suppliedair
4090.051	Спиральный шланг 10 м для suppliedair (армированный)
4090.020	Шумоподавитель
4090.030	Пояс с подбивкой
4090.040	Индикатор скорости воздушного потока

suppliedair Conditioner	
Номер для заказа:	Описание:
4090.100	suppliedair Conditioner
4090.110	Фильтр для suppliedair Conditioner

12. Классификация

Комбинации suppliedair с касками и капюшоны	Классификация
clearmaxx hardhat	1B
clearmaxx, e684 hardhat, crystal2.0 hardhat, panoramaxx2.5 hardhat,, panoramaxx CLT hardhat, panoramaxx quattro hardhat, e640 hardhat, e650 hardhat, e670 hardhat, e680 hardhat, vegaview2.5 hardhat	2B
e684, crystal2.0, panoramaxx2.5, panoramaxx CLT, panoramaxx quattro, e640, e650, e670, e680, vegaview2.5, liteflip autopilot, liteflip passive, liteflip autopilot hardhat, liteflip passive hardhat	3B
softhood long, softhood short	3A