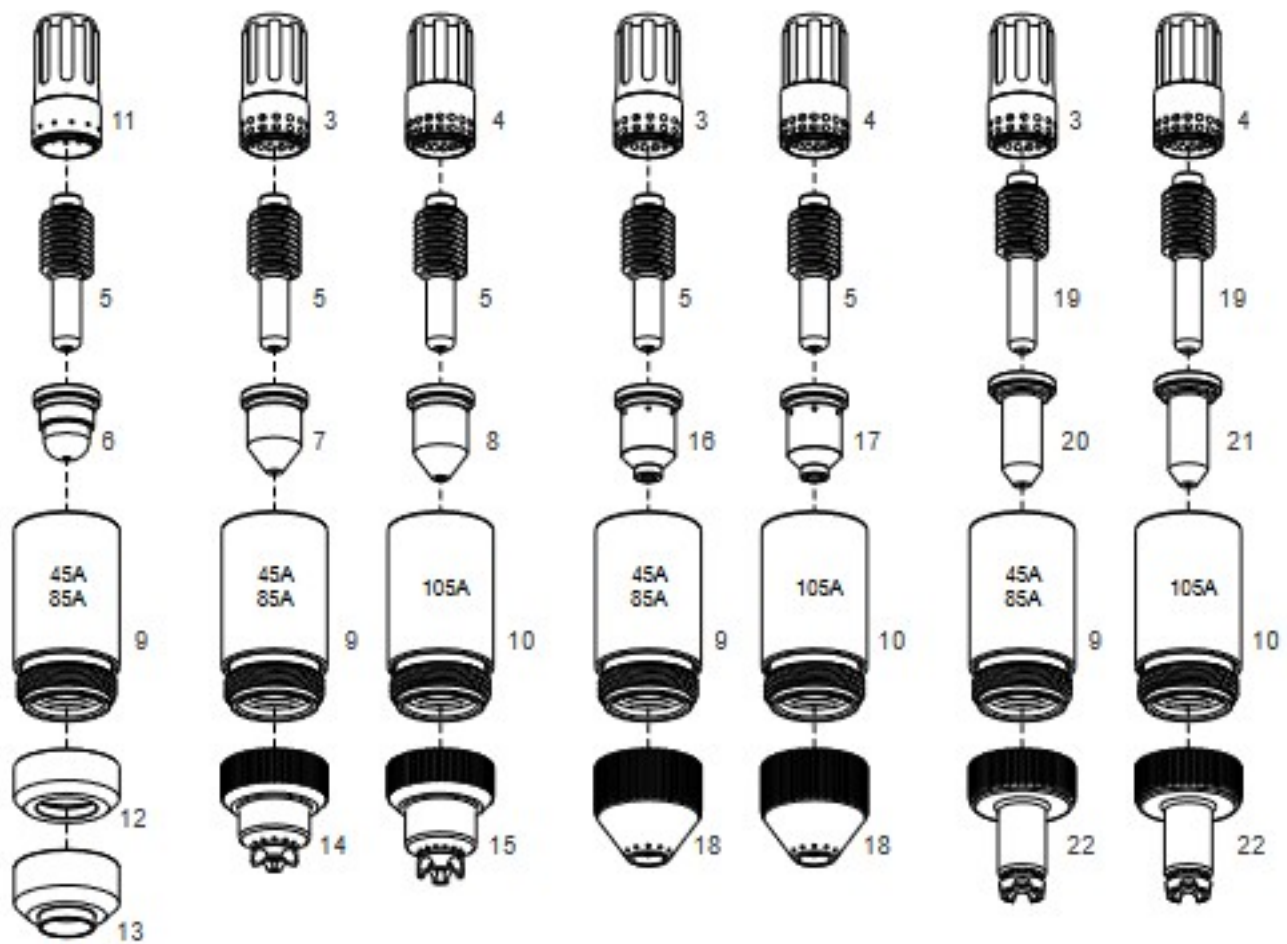
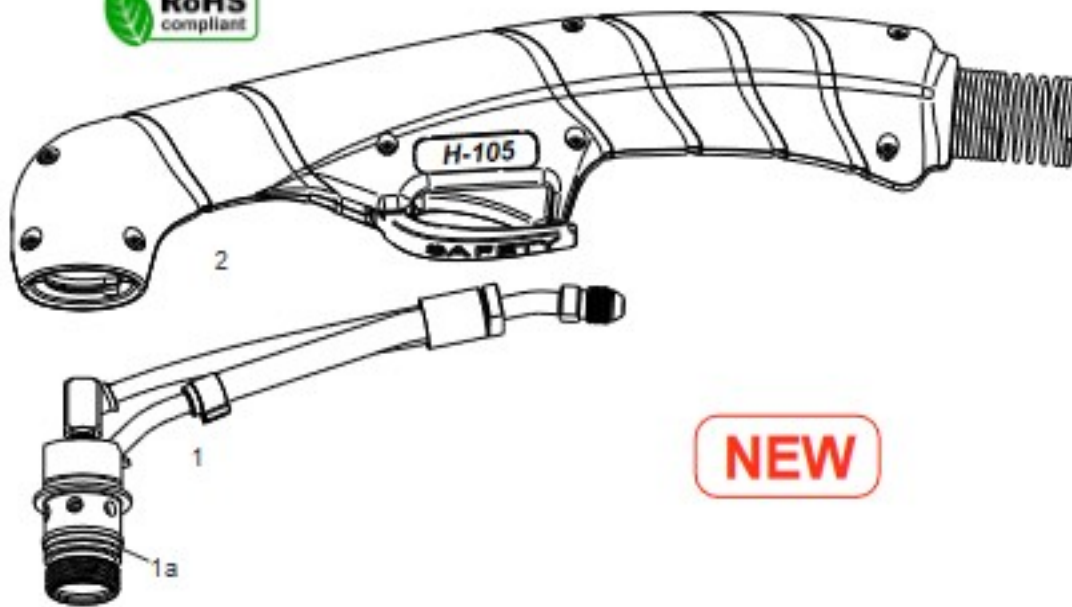


RPT-Torches suitable for **Powermax® 45XP,65,85 &105**
Hand Torch H45, H65, H85, H105

Hybrid



45A
Precision Cut

Contact

Gouging

Extended

RPT-Torches suitable for Powermax® 45XP,65,85 &105

Hand Torch H45, H65, H85, H105

Replacement Parts

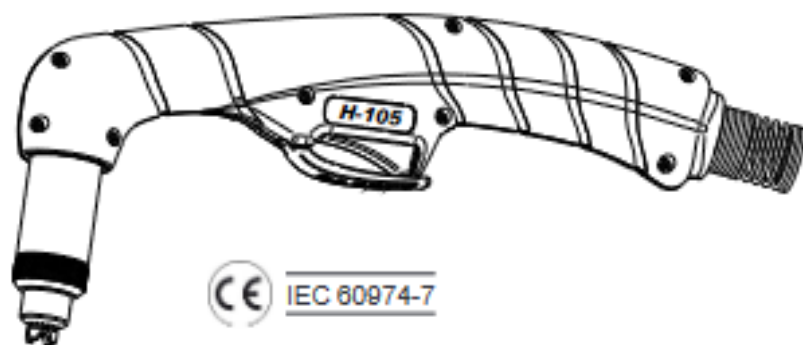
Torch parts

Item	Ref.	Code	Description
1	228714TD - 228958TD	05900	H45, H65, H85, H105 75° Hand Torch Head (use only with Handle 05905HY)
1a	058519	03700.60	O-Ring
2	228717TD - 228954TD	05905HY	Handle H45, H65, H85, H105 75° complete with parts
3	220857	60042E	Swirl ring, 45-85A ECO
	220857	60042	Swirl ring, 45-85A Maximum Life
4	220994	60040E	Swirl ring, 105A ECO
	220994	60040	Swirl ring, 105A Maximum Life
5		52877	Electrode, 45-105A
		52877BM	Electrode, 45-105A, BiMetal
6	220930	51415	Tip, Cutting, 45A Precision Cut
7	220941TD	51416	Tip, Cutting, 45A
	220819TD	51417	Tip, Cutting, 65A
	220816TD	51418	Tip, Cutting, 85A
8	220990TD	51419	Tip, Cutting, 105A
9	220854TD (85A)	60309A	Shield Cup Body, 45-85A ECO
	220854TD (85A)	60309AV	Shield Cup Body, 45-85A Maximum life
10	220854TD (105A)	60309B	Shield Cup Body, 105A ECO
	220854TD (105A)	60309BV	Shield Cup Body, 105A Maximum life
11	220947	60032	Swirl ring, 45A, Precision Cut Maximum life
12	220955	51928	Deflector
13	220931	51931	Deflector, 45A, Precision Cut
14	220818TD	51921	Shield Cap, Hand, 45-85A
15	220992TD	51926	Shield Cap, Hand, 105A
16		51417G	Tip, Gouging, 65-85A
17		51418G	Tip, Gouging, 105A
18		51927G	Shield Cap, Gouging
19		52877L	Extended Electrode
20		51417L.12	Extended Tip, 65A
		51417L.13	Extended Tip, 85A
21		51417L.15	Extended Tip, 105A
22		51926L	Extended Shield, 65-105A

Accessories

N/S	51885	Circle Cutting Attachment
23	51880	BEVEL TOOL

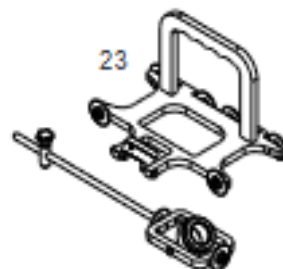
Complete Torches and Leads: see page # 14
The torch assembly does not include consumables



**Air Filter
AT-1000**



Bevel Tool
Patent pending



Patent
US 10,645,790
EP 3422822